

GENERAL PURPOSE ENGINE

GXR120T
GXR120RT

PARTS CATALOGUE

3

FOREWORD INDEX

1

ENGINE GROUP

2

PART NUMBER INDEX

3

PART NAME INDEX

4

Instruction for use of parts catalogue

- **This parts catalogue was prepared based on the latest information available as of March 20, 2015.**
 - See the parts catalogue news for any revision that is made after March 20, 2015.
- **Always specify the part number when ordering a part.**
 - Check the model, type, serial numbers, color, maker, and the size as needed before ordering a part.
 - Note that the illustrations (part drawings) can differ from the actual parts in shape. They are given just to help you to refer to the parts.
- **When modifications or additions to this parts catalogue are made, a revised edition will be issued at an appropriate time, with successively progressing revision numbers on the cover. We recommend obtaining such revisions in order to keep your parts catalogue up-to-date at all times. To check whether a parts catalogue revision has been issued, please contact your Honda distributor.**

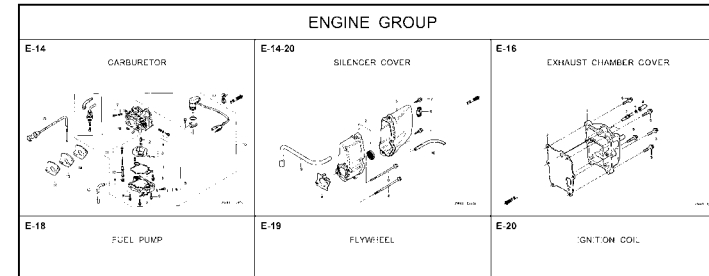
Initial version issue date November 01, 2013
Honda Motor Co., Ltd.

CONTENTS

	Page
● Instruction for use of parts catalogue	1
● How to refer to the part information	2
● Part catalogue structure	3
● When the parts were revised.....	4
● Abbreviations used in the parts catalogue.....	4
● How to check the part block and serial numbers.....	5
● Models, parts catalogue codes and applicable serial numbers.....	6
● Features of each type.....	8
● Fuel hose, general purpose hoses and vinyl hose	9
● FLAT RATE SERVICE TIME	10
● Illustrated index	15
● ENGINE GROUP.....	17
● PART NO. INDEX.....	45
● PART NAME INDEX.....	47

How to refer to the part information

A Reference with "Illustrated index"



B Reference with "Part number index"

PART NO. INDEX				
Part Number	Page Ref.	Part Number	Page Ref.	Pi
06000		15212-ZW9-000	49 7	17583
		15220-ZW9-003	49 8	17583
06316-ZW9-000	104 1	15332-ZW9-000	74 2	17611
		15332-ZW9-A30	76 2	17611
11000		15400-PFB-004	46 5	17612
		15422-ZW9-000	49 9	17620
11300-ZW9-000	46 1	15473-881-000	49 10	17620
11300-ZW9-800	46 1	15474-ZW9-000	49 11	17624
11340-ZW9-000	46 2	15611-921-000	45 6	17650
11342-ZW9-000	46 3	15655-ZW9-000	46 6	17650
11381-ZW9-003	47 1			17660
				17661
12000		16000		
		16010-ZV4-005	55 1	17665
12000-ZW9-000ZA	46 4	16011-ZV4-005	55 2	17670
12155-ZV4-A00	48 1	16013-ZW9-003	55 3	17680
12166-ZW9-000	45 1	16016-ZW9-003	55 4	17701
12209-GB4-681	51 1	16016-ZW9-721	55 4	17701
12210-ZW9-000ZA	45 2	16023-ZW9-003	55 5	17701
12216-ZE2-300	74 1	16024-ZV4-650	55 6	17701
		16028-ZV4-650	55 7	17702

C Reference with "Part name index"

PART NAME INDEX		
Part name	Page	Ref.
[A]		
ABSORBER, FUEL	80	5
ARMATURE COMP.	62	7
ARM COMP., LINK JOINT	102	18
ARM COMP., SHIFT LINK	102	14
ARM COMP., TILT	97	20
ARM, FUEL PUMP ROCKER	51	4
ARM, REVERSE LOCK	97	18
ARM, SHIFT LINK	92	7
ARM, STOPPER	52	12
ARM, THROTTLE REMOTE	92	6
ARM, VALVE ROCKER	51	3
[B]		
BAG, TOOL, 160MM	101	10
BAND	103	37
BAND B1, WIRE	37	1
BAND, CORD	35	18
BAND, TUBE CLIP, 11MM	31	20
BAND, TUBE CLIP, 12.5MM	31	19

E-2 CYLINDER HEAD

Block No.

Ref No.

ZW83-50200

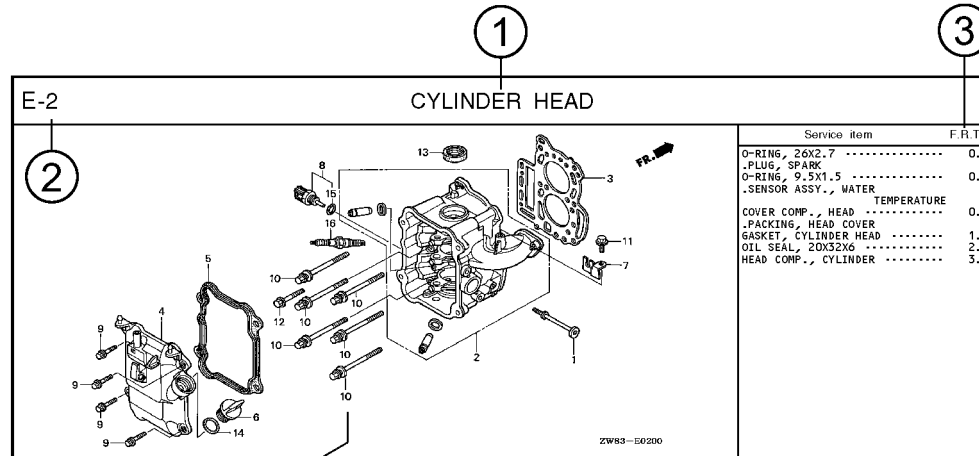
Service item		F.R.T.
O-RING, 26X2.7	0.1
PLUG, SPARK	0.2
O-RING, 9.5X1.5	0.2
SENSOR ASSY., WATER	0.3
COVER COMP., HEAD	0.3
PACKING, HEAD COVER	1.8
GASKET, CYLINDER HEAD	2.4
OIL SEAL, 20X32X6	2.4
HEAD COMP., CYLINDER	3.1

Ref. No.	Part No.	Description	Reqd. QTY						Serial No.	Parts catalogue code
			9901	9901	1001	1001	1001	1001		
1	12166-ZW9-000	STOPPER, ENGINE SIDE	2	2	2	2	2			
2	12210-ZW9-000ZA	HEAD COMP., CYLINDER	1	1	1	1	1			
3	12251-ZW9-003	GASKET, CYLINDER HEAD	1	1	1	1	1			
4	12310-ZW9-000	COVER COMP., HEAD	1	1	1	1	1			
5	12312-ZW9-000	PACKING, HEAD COVER	1	1	1	1	1			
6	15611-921-000	CAP, OIL (NO GAUGE)	1	1	1	1	1			
7	16617-ZW9-000	HOLDER, CABLE	1	1	1	1	1	SC,SG		
	16617-ZW9-010	1	1	1	1	1	1001800	LHC,LHD	
		1	1	1	1	1	1001801	LHC,LHD	
8	35673-ZV5-003	SENSOR ASSY., WATER	1	1	1	1	1			
9	90003-ZW9-000	BOLT, FLANGE, 6X22	4	4	4	4	4			
10	90007-ZW9-003	BOLT, FLANGE, 8X83	6	6	6	6	6			
11	90011-ZW9-000	BOLT, FLANGE, 6X14(CT200) ...	1	1	1	1	1			
12	90020-ZW9-000	BOLT, FLANGE, 8X40	2	2	2	2	2			
13	91202-KJ9-003	OIL SEAL, 30X32X6	1	1	1	1	1			
14	91301-805-000	O-RING, 26X2.7	1	1	1	1	1			
15	91307-PK2-005	O-RING, 9.5X1.5(HONDA KIKAKI)	1	1	1	1	1			
16	98059-55916	PLUG, SPARK (CR5EH-9)	2	2	2	2	2			
	98059-55926	PLUG, SPARK (U16FER9)	2	2	2	2	2			

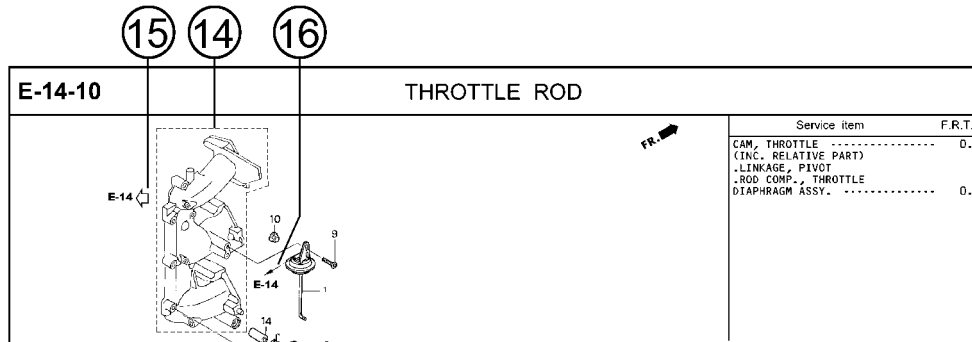
2000.09.20 E

Page No.

Part catalogue structure



Ref. No.	Part No.	Description	Reqd. QTY						Serial No.	Parts catalogue code
			BF 9.9D1	BFF 9.9D1	BF 10D1	BFF 10D1	BF 10B1	BFF 10B1		
1	12166-zw9-000	STOPPER, ENGINE SIDE	2	2	2	2	2			
2	12210-zw9-000ZA	HEAD COMP., CYLINDER								
3	12251-zw9-003	GASKET, CYLINDER HEAD	1	1	1	1	1			
4	12310-zw9-000	COVER COMP., HEAD	1	1	1	1	1			
5	12312-zw9-000	PACKING, HEAD COVER	1	1	1	1	1			
6	15611-921-000	CAP, OIL	1	1	1	1	1			
		(NO GAUGE)								
7	16617-zw9-000	HOLDER, CABLE	1	1	1	1	1	SC,SG		
	16617-zw9-010		1	1	1	1	1	1001800 LHC,LHD		



① Block title ② Block number

③ Service item/Flat rate time

④ Reference number

- Title number marked with the parenthesis or parentheses indicates that it continues from the previous page.

⑤ Part number ⑥ Honda color code

⑦ Description

⑧ Assemblies

- Sections framed with broken lines in the exploded view drawings are available as complete assemblies. (Their individual parts can also be obtained.)

⑨ Color description

⑩ Note

- Notes are shown with the parentheses in the part name column.

⑪ Required quantity

- Required QTY shown in the parenthesis or parentheses indicates the optional part.
- Required QTY marked with "N" Indicates the optional part that should be selected as needed.
- Required QTY indicates the number of the part used in the block.

⑫ Serial number

⑬ Type

- When the type column is blank, it indicates that the part is applicable to all types.
- As the type of the actual unit may differ from the "parts catalogue, type" please refer to "Models, types and applicable serial numbers" for confirmation.

⑭

- Parts enclosed within a dotted line are covered in a different block.

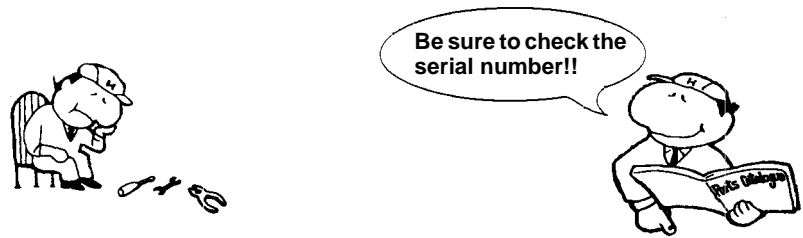
⑮

- A hollow arrow indicates the block No. for the parts enclosed within a dotted line.

⑯

- A solid arrow indicates the block No. the part in question is connected to.

When the parts were revised



Ref. No.	Part No.	Description	Reqd. QTY						Serial No.
			BF 99D1	BFP 99D1	BF 10D1	BFP 10D1	BF 10B1	BFP 10B1	
1	12166-ZW9-000	STOPPER, ENGINE SIDE	2	2	2	2	2	2	
2	12210-ZW9-000ZA	HEAD COMP., CYLINDER *NHS* DARK GRAY	1	1	1	1	1	1	
3	12251-ZW9-003	GASKET, CYLINDER HEAD	1	1	1	1	1	1	
4	12310-ZW9-000	COVER COMP., HEAD	1	1	1	1	1	1	
5	12312-ZW9-000	PACKING, HEAD COVER	1	1	1	1	1	1	
6	15611-921-000	CAP, OIL (NO GAUGE)	1	1	1	1	1	1	
7	16617-ZW9-000	HOLDER, CABLE (###)	1	1	1	1	1	1	SC, SG LHC, LHD LHC, LHD
	16617-ZW9-010	1	1	1	1	1	1	

The number has been used from the initial model without revision.

When shown at the left side, it is applicable to the models of No.1001801 and the subsequent numbers.

When shown at the right side, it is applicable to the models up to No.1001800.

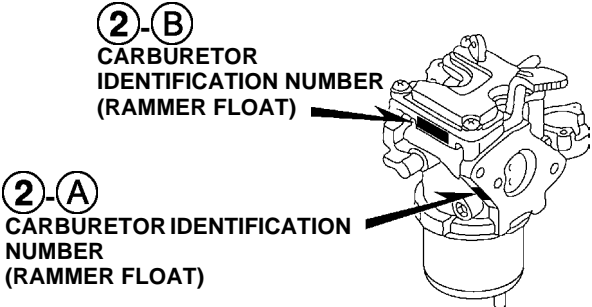
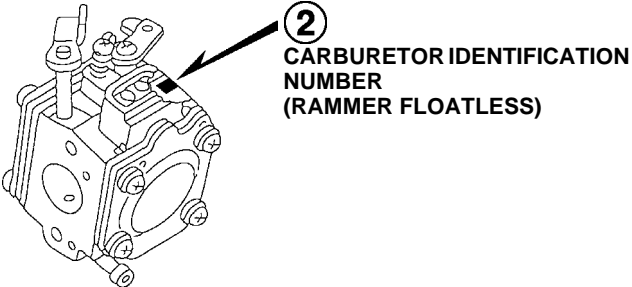
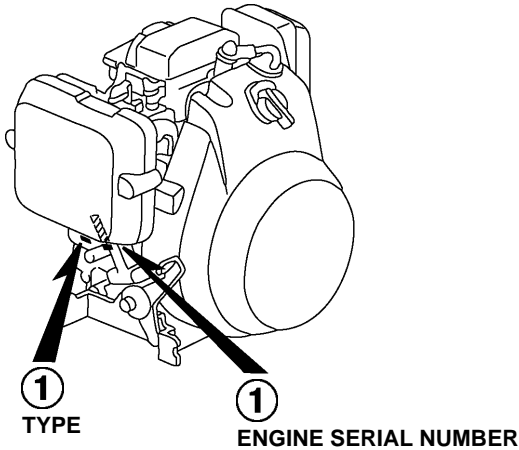
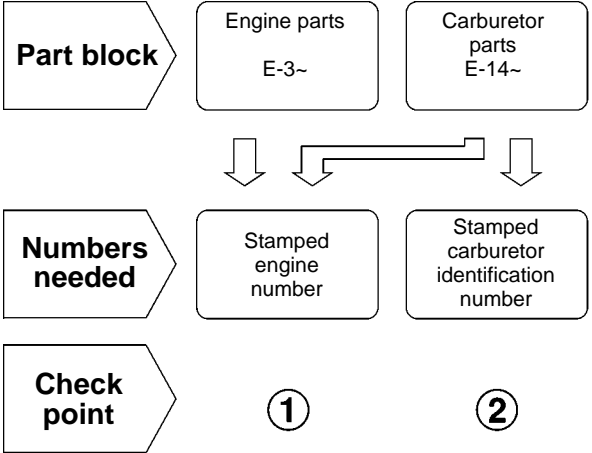
• The parts listed with "###" at the end of the parts name have limited supply period (parts not for sale).

Abbreviations used in the parts catalogue

• The following abbreviations are used in the parts name column.

- A Ampere
- A.C. Alternating current
- ASSY. Assembly
- AT. Automatic transmission
- C.D.I. Capacitive discharge ignition
- COMP. ... Complete
- D.C. Direct current
- EX. Exhaust
- G.F.C.I ... Ground fault circuit interruptor
- HEX. Hexagonal
- H.S.T. Hydrostatic transmission
- FR.Front
- IN.Inlet
- L (100L) .Link (100 Links)
- L.Left
- MMMillimeter
- MT.Manual Transmission
- P.T.O.Power take off
- R.Right
- RR.Rear
- STD.Standard
- T (22T) ...Tooth (22 Teeth)
- VVolt
- WWatt

How to check the part block and serial numbers



Models, parts catalogue codes and applicable serial numbers

- Models, parts catalogue codes and applicable serial Nos. given in this parts catalogue can be identified as follows.

Model	Type	Parts catalogue type	Applicable engine serial No.	Applicable carburetor identification No.
GXR120T	KRB3	KRB3	GCCET-1000001~	BF33R A
	KRF1	KRF1		HDA-323
	KRH	KRH		HDA-322
	KRH2	KRH2		BF33S A
GXR120RT	KRA2	KRA2	GCCDT-1000001~	HDA-321
	KRAA	KRAA		BF33S A
	KRB4	KRB4		BF33R A
	KRB5	KRB5		
	KRB6	KRB6		
	KRBF	KRBF		
	KRDF	KRDF		HDA-323
	KRDP	KRDP		
	KRDY	KRDY		BF33R A
	KRE4	KRE4		
	KREE	KREE		HDA-321
	KREU	KREU		
	KRF2	KRF2		HDA-322
	KRG	KRG		
KRGA	KRGA	HDA-321		

1

Model	Type	Parts catalogue type	Applicable engine serial No.	Applicable carburetor identification No.
GXR120RT	KRGB	KRGB	GCCDT-1000001~	HDA-332
	KRGF	KRGF		HDA-321
	KRM	KRM		HDA-322
	KRMB	KRMB		BF33S A
	KRS2	KRS2		HDA-322
	KRSB	KRSB		HDA-323
	KRWB	KRWB		HDA-332
	KRWE	KRWE		HDA-321
	KRWF	KRWF		HDA-329
	KRWN	KRWN		

* Of carburetor identification numbers, only the portions underlined in the example below are used for registration.

RAMMER FLOAT BF 33R A KC +
Ⓐ Ⓑ
RAMMER FLOATLESS HDA-323

Features of each type

- See the following table for the features of each type. (Items in brackets are optional)

Model Type		GXR120T				GXR120RT								
		KRB3	KRF1	KRH	KRH2	KRA2	KRAA	KRB4	KRB5	KRB6	KRBF	KRDF	KRDP	KRDY
Crankshaft	1/5" Tapered	●	●				●		●		●	●		
	M12 Stepped thread			●	●	●		●		●			●	●
	M10 thread													
Engine stop switch				●	●	●	●	●		●		●		
Oil alert							●						●	●

Model Type		GXR120RT												
		KRE4	KREE	KREU	KRF2	KRG	KRGA	KRGB	KRGF	KRM	KRMB	KRS2	KRSB	KRWB
Crankshaft	1/5" Tapered			●	●	●	●	●	●	●	●	●		●
	M12 Stepped thread	●	●										●	
	M10 thread													
Engine stop switch		●	●	●						●	●			●
Oil alert							●	●	●					●

Model Type		GXR120RT		
		KRWE	KRWF	KRWN
Crankshaft	1/5" Tapered	●	●	
	M12 Stepped thread			
	M10 thread			●
Engine stop switch				
Oil alert		●	●	●

Fuel hose, general purpose hoses and vinyl hose

- The standard part fuel hose, general purpose hose and vinyl hose may be substituted by the coiled bulk part.
- When ordering the standard part fuel hose, general purpose hose and vinyl hose use the bulk part number written in the parts catalog in brackets () underneath the part name.
- When exchanging the hose, cut and use at the specified length as mentioned in the part name.
(For the method of cutting the bulk part, and method of filling out orders etc., please refer to the instructions issued with the bulk part.)

Bulk part number of fuel hose, general purpose hose and vinyl hose.

Example: 9 5 0 0 1 - 7 5 0 0 1 - 5 0 M

Bulk part number:

Refers to the bulk part.

Marking code (fuel hose and general purpose hose)

Change code (Vinyl hose)

Indicates number mark or change sequence, however, the code for the bulk part must be strictly 0 (zero).

Types of code:

- | | | | | | |
|-------------|--|----------------|-------------|--------------|---------------|
| • Fuel hose | 2: Red outside braid
(3 mm inside dia. only) | • General hose | 1: Ash gray | • Vinyl hose | 1: Clear |
| | 5: Black inside braid | | 2: Ash gray | | 2: Black |
| | 3: Red (3 mm inside dia. only) | | 3: Black | | 3: Light red |
| | 4: Ash gray with red stripe
(3 mm inside dia. only) | | 5: Black | | 6: Light red |
| | 6: Black | | | | 7: Pale black |

Lengths:

- | | |
|---------------------|--|
| 001: 1 m (standard) | } Application or specification of some parts is not settled. |
| 003: 3 m | |
| 008: 8 m | |

I.D code: (fuel hose and general purpose hose)

- | | | | | |
|------------|--------------------|--------------------|-----------------------------|-----------------------------|
| 30: 3.0 mm | 50: 5.0 mm | 70: 7.0 mm | 11: 11 mm | 12: 12 (outside dia. 17) mm |
| 35: 3.5 mm | 55: 5.3 mm, 5.5 mm | 75: 7.3 mm, 7.5 mm | 91: 12 (outside dia. 15) mm | 14: 14 mm |
| 45: 4.5 mm | 65: 6.5 mm | 80: 8.0 mm | 92: 12 (outside dia. 16) mm | 17: 17 mm |

ID./OD. code: (vinyl hose)

- | | | | | |
|-------------------------|--------------------------|---------------------------|---------------------------|---------------------------|
| 01: ID. 2.9, OD. 6.8 mm | 12: ID. 5.0, OD. 7.0 mm | 21: ID. 8.0, OD. 9.0 mm | 37: ID. 11.0, OD. 15.0 mm | 50: ID. 16.0, OD. 19.0 mm |
| 03: ID. 3.0, OD. 6.0 mm | 10: ID. 5.0, OD. 8.0 mm | 23: ID. 8.0, OD. 12.0 mm | 38: ID. 12.0, OD. 13.0 mm | 55: ID. 17.5, OD. 20.5 mm |
| 05: ID. 3.5, OD. 6.5 mm | 11: ID. 5.0, OD. 9.0 mm | 25: ID. 9.0, OD. 11.0 mm | 39: ID. 12.0, OD. 14.0 mm | 60: ID. 22.0, OD. 27.0 mm |
| 07: ID. 4.0, OD. 7.0 mm | 14: ID. 6.0, OD. 9.0 mm | 27: ID. 9.0, OD. 13.0 mm | 40: ID. 12.0, OD. 16.0 mm | |
| 08: ID. 4.5, OD. 6.5 mm | 17: ID. 7.0, OD. 9.0 mm | 33: ID. 10.0, OD. 14.0 mm | 43: ID. 13.0, OD. 15.0 mm | |
| 09: ID. 4.5, OD. 8.0 mm | 19: ID. 7.0, OD. 11.0 mm | 36: ID. 11.0, OD. 13.0 mm | 45: ID. 14.0, OD. 18.0 mm | |

Hose type:

- 1: Fuel hose
3: Vinyl hose
5: General hose

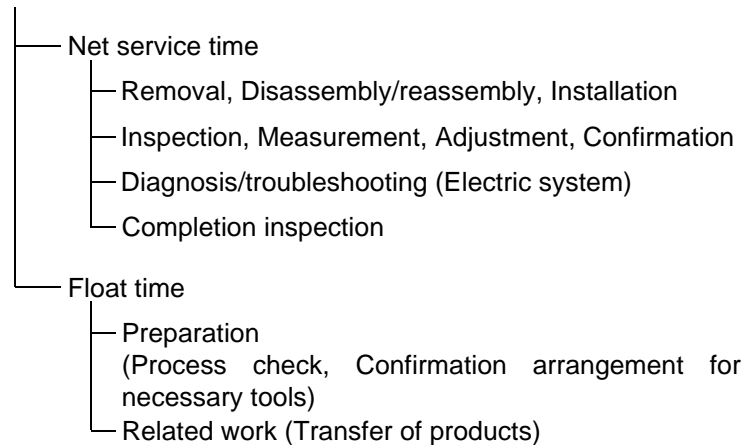
⊙ **CAUTION: It is DANGEROUS to confuse the fuel hose with the general purpose hose or vinyl hose.**

Never use a general purpose hose or vinyl hose in place of a fuel hose or vice versa. Always use the correct bulk part in the parts catalogue, according to the service manual or the instructions issued with the bulk part.

FLAT RATE SERVICE TIME

Flat rate service time (FRT) means the standard time required to service a product, which is listed in this manual to help the dealers control the actual working process and calculate the service charge by using it as a guide.

FRT setting system



* Float time is set by multiplying the net service time by a given coefficient.

Editorial style

The service items shown in the text are listed with the exchange work time for the repair sales parts as the subject. Other representative service items not using repair parts (removal/installation, adjustment, inspection/measuring, and other work) are listed collectively in the list in the preface, classified according to the work.

FRT setting standard

- Decimal system (in unit of 0.1) is adopted to set FRT as it is convenient to calculate the wage.
Example: (0.1) → 6 minutes, (0.2) → 12 minutes
[Labor cost per hour] x [FRT] = [Wage]
- FRT is set with a hand tool.
- Service items and FRT can be subject to change depending on development of tools and service equipment and improvement in service procedure.

Work procedure

- As the work procedure is set with the work time according to the method in the separate Service Manual, refer to this Manual as required.
- Work methods permitting servicing in the shortest time still permitting assurance of safe work and product warranty are used for the setting of service items not listed in the Service Manual.
- Work basically is to be performed by one person, and when two or more people are required, setting is done as the total time for the number of people.
- The set value for the technological level of the workers uses a person with three years of experience in the repair of Honda products as the standard.
- Special tools and service equipment used to set FRT are those specified or recommended in Service Manual.

Service item whose FRT is not presented

- Accessories and service parts that are not listed to use in this manual.
 - Locations with little aging deterioration or breakage during normal use.
 - Service work that can be finished by one touch.
 - Service work that is seldom done (i.e. extremely small causes of trouble and service frequency).
 - Products and parts whose location for installation differs according to its status of use and application.
- * When FRT is not presented, please calculate wages based on appropriate actual work time.

Operation not included of FRT

- Oil and coolant water draining, Waiting time for warming up operation and etc..
- Additional operation that involves removal/installation of standard exterior equipment.
- Indirect time spent for service by visiting the customer, trade-in, and delivery.
- Indirect time required for ordering and delivery of parts.
- Cost for grease, adhesive agent, etc. used for service work.

**Explanation of FRT by using an example
(The example may differ from the actual presented items)**

Ref. No.	L.O.N.	(Relative ref. Number) Description	F.R.T.
①	1111L1	④ (1, 3, 4, 7) VALVE, INTAKE4.1	②
②		• NOTE: OHV type ⑥	⑦
③	1111L1A	• Includes: Engine removal and installation ⑤ One head (intake all) add1.4	

- ① Reference No. of the illustration of part that shows location of the replacement work.
- ② FRT is an abbreviation of Flat Rate Time indicating the standard service time required for the replacement.
- ③ LON is an abbreviation of Labor Operation Number, and it is a classification of the service items by the work unit code.

The same operation code is used regardless of the models.

Standard operation is indicated with 6 digits code, and additional operation is indicated with 7 digits code.

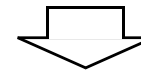
- ④ Indicating the intake valve replacement and FRT4.1.
- ⑤ Indicating FRT1.4 that will be added when additional operation (whole intake side of one cylinder head) is done in association with intake valve replacement.

- ⑥ Indicating work condition or application condition of the service item.
- ⑦ Indicating work contents that are included in the service item.
- ⑧ Indicating a reference No. whose operation and time are the same as FRT4.1 for the intake valve.

(The application range is limited to the service items without an LON setting within a same block.)

**How to refer to the service item by using the sample
(intake valve replacement)**

Open to the page of the block where the intake valve's spare part illustration is shown.



Look for the intake valve illustration, and refer to the service item and FRT that agree with the reference No.

Major service items without using spare parts
Adjustment, Inspection/Measurement, Overhaul, Other work

E: Engine, T: Transmission, D: Drive system, B: Body and related parts

• **Adjustment**

	LON	DESCRIPTION	FRT
E	1113A1	VALVE CLEARANCE-ADJUSTMENT NOTE: For 1 product	0.3
	1163A0	CONTROL, THROTTLE/GOVERNOR-ADJUSTMENT	0.2
	3113A2	CARBURETOR IDLE-ADJUSTMENT	0.2

• **Inspection/Measurement**

	LON	DESCRIPTION	FRT
E	1105A0	ENGINE OIL-INSPECTION	0.1
	1115A0	CYLINDER COMPRESSION-TEST	0.2

• **Overhaul**

Work condition: The required Measurements, inspections, adjustments, and cleaning/washing of each part are performed, including the main body removal/installation work and the replacement of defective parts.

	LON	DESCRIPTION	FRT
E	3112A0	CARBURETOR-OVERHAUL INCLUDES: All necessary adjustment	0.6

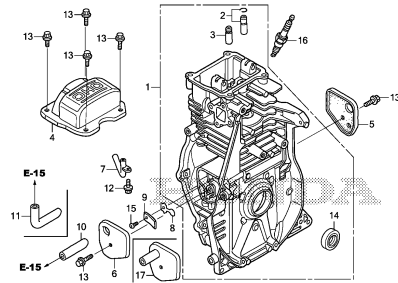
• **Other work**

	LON	DESCRIPTION	FRT
E	1101E1	ENGINE OIL-CHANGE INCLUDES: Engine oil-inspection	0.1
	3120A0	AIR CLEANER-CLEANING INCLUDES: Air cleaner-inspection	0.2
	6140A0	SPARK PLUG-ADJUSTMENT/CLEANING INCLUDES: Spark plug check NOTE: For 1 product	0.1

ENGINE GROUP

E-3

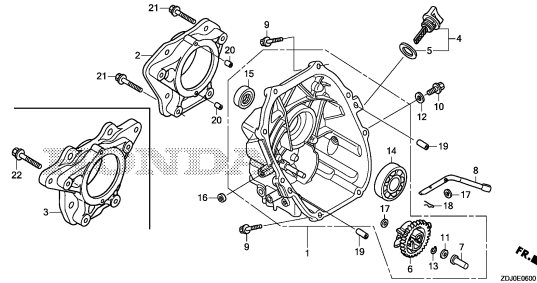
CYLINDER BARREL



ZD.0E0300A

E-6

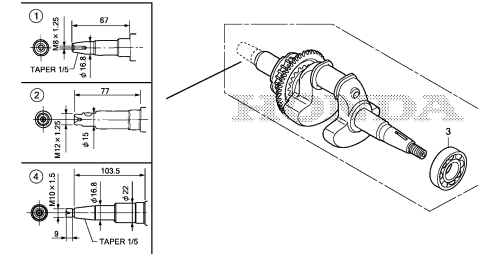
CRANKCASE COVER



ZD.0E06000

E-7

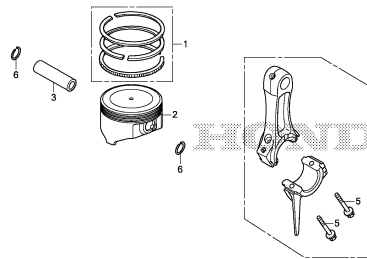
CRANKSHAFT



ZD.0E0700A

E-8

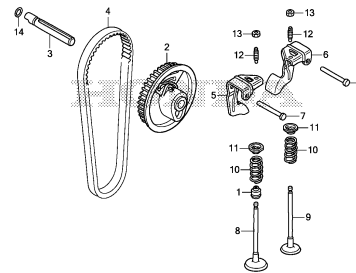
PISTON/CONNECTING ROD



ZD.0E08000

E-9

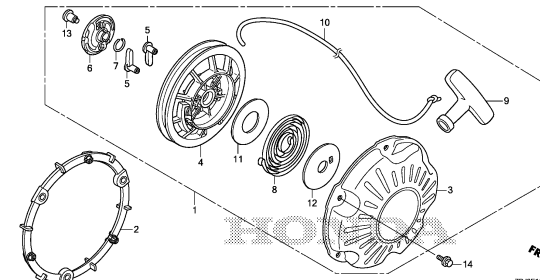
CAMSHAFT PULLEY



ZD.0E09000

E-11

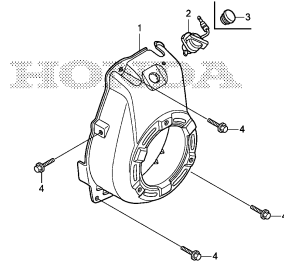
RECOIL STARTER



ZD.0E11000

E-12

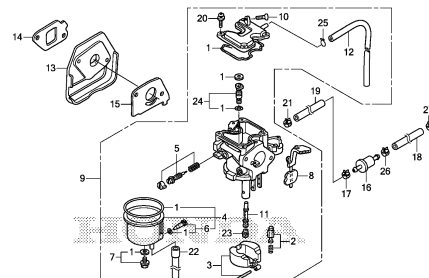
FAN COVER



ZD.0E12000

E-14

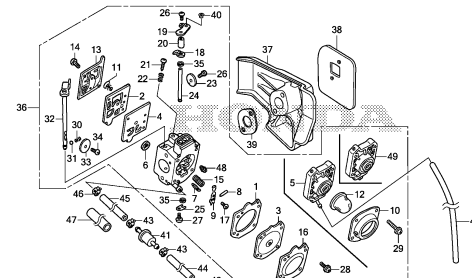
CARBURETOR(1)(RAMMER FLOAT)



ZD.0E14000

E-14-1

CARBURETOR(2)(RAMMER FLOATLESS)

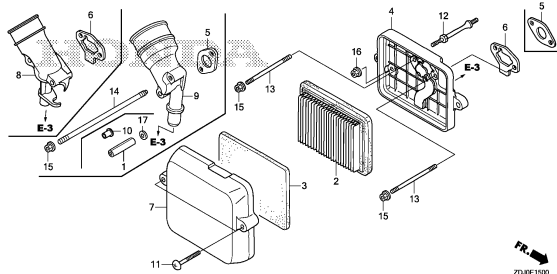


ZD.0E1401A

ENGINE GROUP

E-15

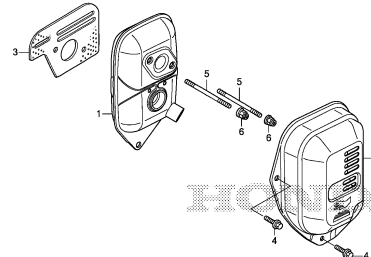
AIR CLEANER



FR. →
ZD.0E1500

E-16

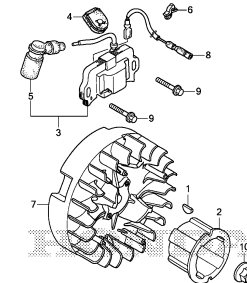
MUFFLER



ZD.0E1600

E-19

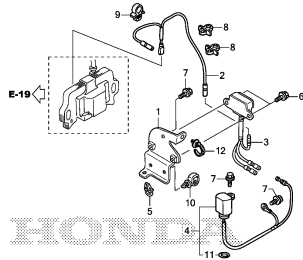
FLYWHEEL/IGNITION COIL



FR. →
ZD.0E1900

E-19-10

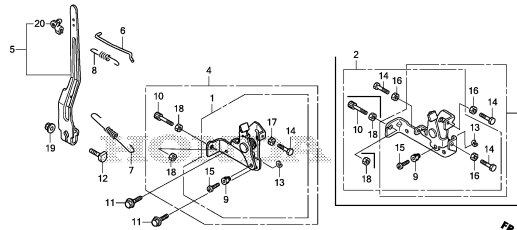
OIL ALERT/OIL LEVEL SWITCH



FR. →
ZD.0E1910

E-22

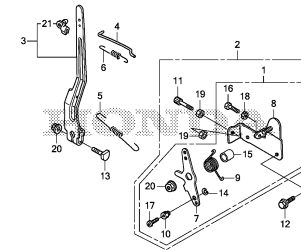
CONTROL(1)



FR. →
ZD.0E2200

E-22-1

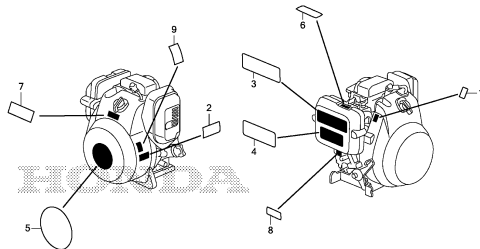
CONTROL(2)



FR. →
ZD.0E2201

E-28

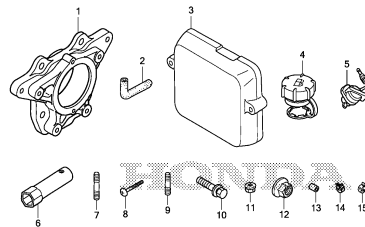
LABEL



ZD.0E280A

E-40

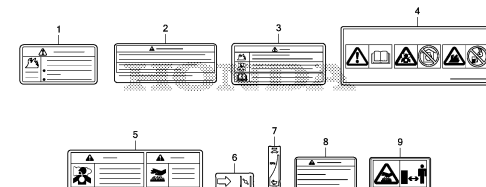
OTHER PARTS(1)



ZD.0E4000

E-40-1

OTHER PARTS(2)

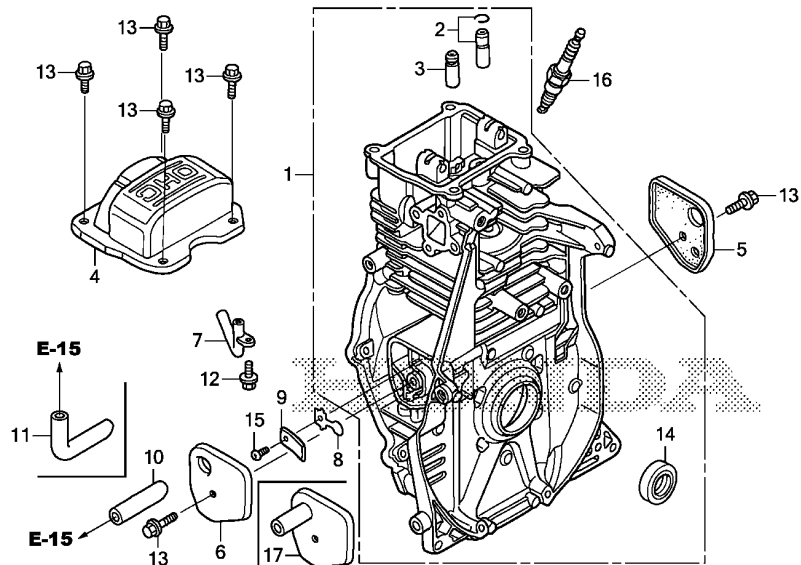


ZD.0E4001

2

E-3

CYLINDER BARREL



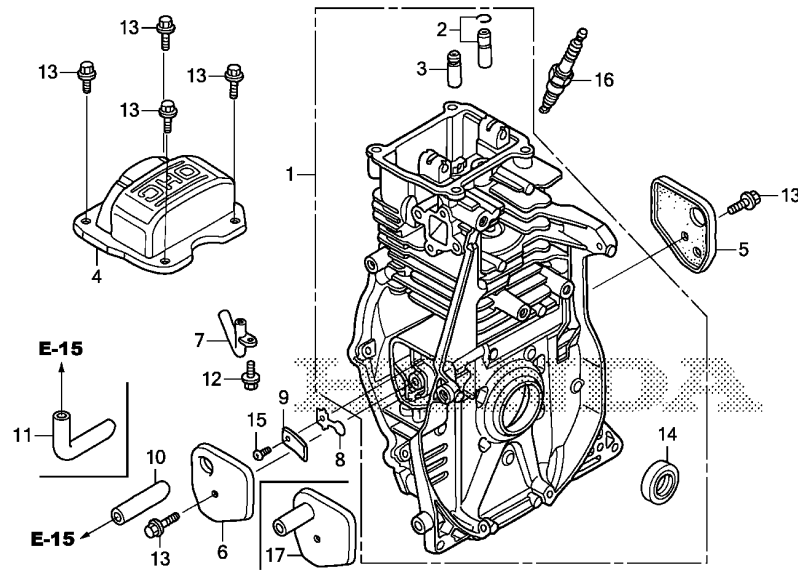
Ref. No.	L.O.N.	(Relative ref. Number) Description	F.R.T.
1	1101A0	BARREL, CYLINDER	1.8
2	1111E8	GUIDE, EXHAUST VALVE	1.7
		.INCLUDES: Valve clearance adjustment	
	1111E8E	.Replace intake and exhaust all add	0.3
3	1111E9	GUIDE, INTAKE VALVE	1.7
		.INCLUDES: Valve clearance adjustment	
	1111E9E	.Replace intake and exhaust all add	0.3
4	1111D5	CYLINDER HEAD COVER AND/OR PACKING	0.2
5	1111S4	BREATHER COVER A AND/OR BREATHER PACKING	0.3
6		(17)	
	1111S5	BREATHER COVER B AND/OR BREATHER PACKING	0.3
7	1111G1	PIPE, BREATHER	0.3
8		(9)	
	1171A8	VALVE, OIL OUTLET	0.3
10		(11)	
	1111K5	TUBE, BREATHER	0.3
14	1101E4	OIL SEAL, CRANKSHAFT :FRONT ..	1.3
+16	6141C1	PLUG, SPARK	0.1

Ref. No.	Part No.	Description	Reqd. QTY		Serial No.	Parts catalogue code
			GXR 120 T	GXR 120 RT		
1	12000-ZDJ-305	BARREL ASSY., CYLINDER	1	1		
2	12201-Z0D-305	GUIDE ASSY., EX. VALVE(O.S.)	1	1		
3	12204-Z0D-305	GUIDE, IN. VALVE(O.S.)	1	1		
4	12311-Z0D-000	COVER, HEAD	1	1		
5	12355-Z0D-000	COVER COMP. A, BREATHER	1	1		
6	12365-Z0D-000	COVER COMP. B, BREATHER	1	1	-----	KRA2,KRAA,KRB3,KRB4,KRB5,KRB6,KRBF,KRDF,KRDP,KRDY,KRE4,KREE,KREU,KRF1,KRF2,KRG,KRGA,KRGB,KRGF,KRH,KRH2,KRM,KRMB,KRS2,KRSB,KRWB,KRWE,KRWF
7	15171-Z0D-V00	PIPE, BREATHER	1	1		
8	15571-Z0D-V71	VALVE, OIL OUTLET	1	1		
9	15572-ZM7-000	PLATE, STOPPER	1	1		
10	15721-Z0D-000	TUBE, BREATHER	1	1	-----	KRA2,KRB4,KRB6,KRH2,KRS2
	15721-Z0D-V00	1	1	-----	KRE4,KREU,KRF2,KRGA,KRGB,KRGF,KRH,KRM,KRMB,KRSB,KRWB,KRWE,KRWF
11	15721-Z0D-V70	TUBE, BREATHER(BOMAG)	1	1	-----	KRB3,KRB5,KRBF,KRF1
	15721-ZDD-R00	TUBE, BREATHER	-	1	-----	KRWN
12	90008-ZM7-000	BOLT, 4X10	1	1		
13	90014-952-000	BOLT, FLANGE, 6X14(CT200)	6	6		
14	91202-ZE6-013	OIL SEAL, 22X35X6	1	1		
15	93500-03005-0A	SCREW, PAN, 3X5	1	1		
16	98056-55757	PLUG, SPARK(U16FSR-UB)	1	1		
	98056-55777	PLUG, SPARK(CR5HSB)	1	1		
17	12365-ZDD-R00	COVER COMP. B, BREATHER	-	1	-----	KRWN



E-3

CYLINDER BARREL



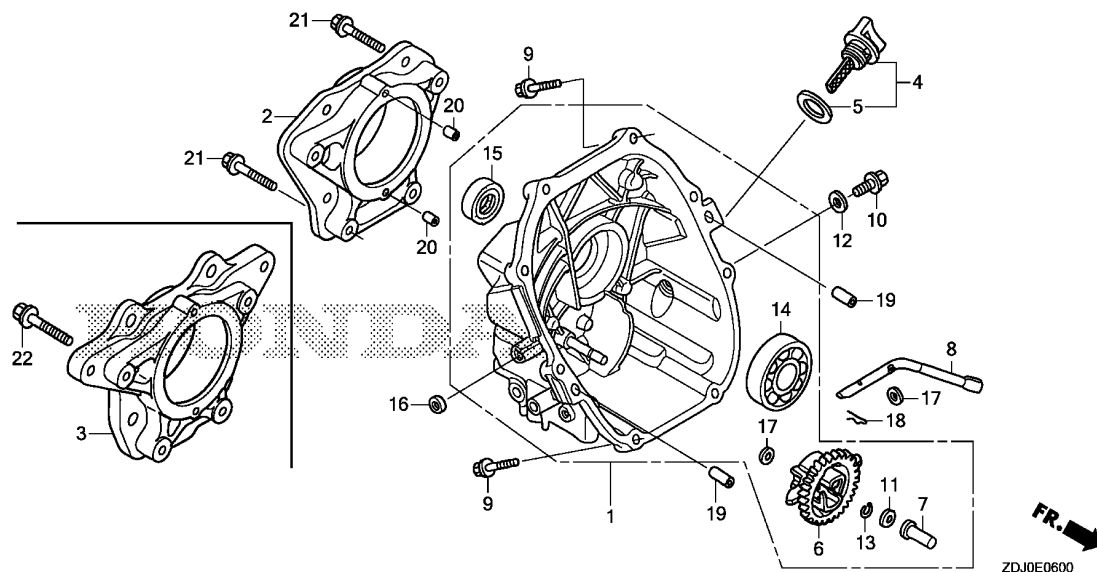
Ref. No.	L.O.N. (Relative ref. Number)	Description	F.R.T.
----------	-------------------------------	-------------	--------

+16		.INCLUDES: Spark plug check	
-----	--	-----------------------------	--

2

E-6

CRANKCASE COVER



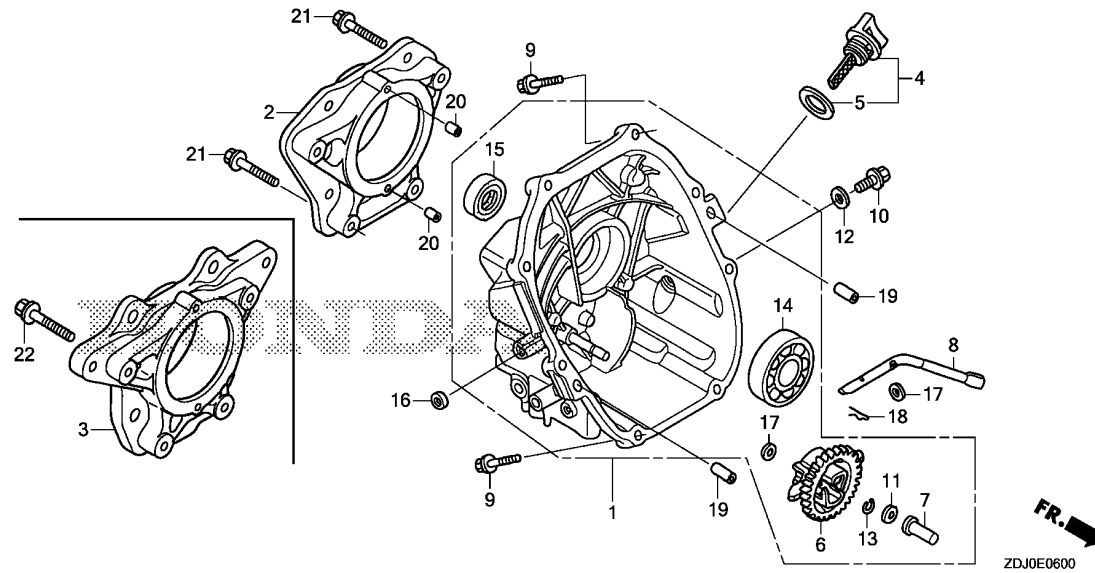
Ref. No.	L.O.N.	(Relative ref. Number) Description	F.R.T.
1	1101F1	COVER, CRANKCASE	0.8
2		(3)	
	2141R7	FLANGE, POWER TAKE OFF	0.2
6	1161C4	GOVERNOR ASSEMBLY	0.9
7	1161B6	SLIDER, GOVERNOR	0.8
8	1161B4	SHAFT, GOVERNOR ARM	0.8
14	1101A6	BEARING, CRANKSHAFT :REAR	1.0
15	1101E5	OIL SEAL, CRANKSHAFT :REAR ...	0.9
16	1101C4	OIL SEAL, GOVERNOR ARM SHAFT ..	0.8

Ref. No.	Part No.	Description	Reqd. QTY		Serial No.	Parts catalogue code
			GXR 120 T	GXR 120 RT		
1	11300-ZDJ-305	COVER ASSY., CRANKCASE	1	1	-----	KRA2,KRB3,KRB4,KRB5,KRB6,KRBF,KRDF,KRE4,KREE,KREU,KRF1,KRF2,KRG,KRH,KRH2,KRM,KRMB,KRS2,KRSB
	11300-ZDJ-306	-	1	-----	KRAA,KRDP,KRDY,KRGA,KRGB,KRGF,KRWB,KRWE,KRWF,KRWN
2	11511-Z0D-V00	FLANGE, P.T.O.	1	1	-----	KRA2,KRF2,KRH,KRH2,KRMB,KRS2,KRSB
3	11511-Z0D-V10	FLANGE, P.T.O.	-	1	-----	KRB4,KRB6,KRDF,KRDP,KRDY,KRE4,KREE,KRM
4	15600-ZDF-000	CAP ASSY., OIL FILLER	1	1	-----	KRA2,KRB3,KRB4,KRB5,KRB6,KRBF,KRDF,KRE4,KREE,KREU,KRF1,KRF2,KRG,KRH,KRH2,KRM,KRMB,KRS2,KRSB
	15600-Z3F-000	-	1	-----	KRAA,KRDP,KRDY,KRGA,KRGB,KRGF,KRWB,KRWE,KRWF,KRWN
5	15625-Z0T-800	PACKING, OIL FILLER CAP	1	1	-----	
6	16510-ZL8-000	GOVERNOR ASSY.	1	1	-----	
7	16531-ZE1-000	SLIDER, GOVERNOR	1	1	-----	
8	16541-Z0D-000	SHAFT, GOVERNOR ARM	1	1	-----	
9	90121-952-000	BOLT, FLANGE, 6X25(CT200) ...	8	8	-----	
10	90131-ZE1-000	BOLT, DRAIN PLUG	1	1	-----	
11	90451-ZE1-000	WASHER, THRUST, 6MM	1	1	-----	
12	90601-ZE1-000	WASHER, DRAIN PLUG, 10.2MM ..	1	1	-----	
13	90602-ZE1-000	CLIP, GOVERNOR HOLDER	1	1	-----	
14	91001-878-003	BEARING, RADIAL BALL, 62/22 ..	1	1	-----	
15	91203-ZE0-013	OIL SEAL, 22X41X6	1	1	-----	
16	91231-891-003	OIL SEAL, 6X11X4(ARAI)	1	1	-----	
17	94101-06800	WASHER, PLAIN, 6MM	2	2	-----	
18	94251-08000	PIN, LOCK, 8MM	1	1	-----	
19	94301-08200	DOWEL PIN, 8X20	2	2	-----	
20	94303-06100	DOWEL PIN, 6X10	2	2	-----	KRA2,KRB4,KRB6,KRDF,KRDP,KRDY,KRE4,KREE,KRF2,KRH,KRH2,KRM,KRMB,KRS2,KRSB



E-6

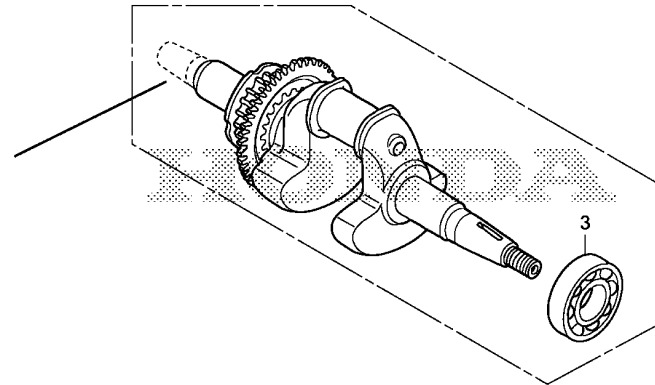
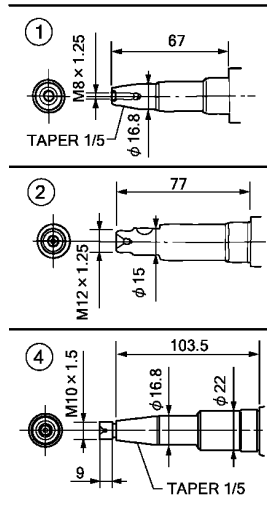
CRANKCASE COVER



Ref. No.	Part No.	Description	Reqd. QTY		Serial No.	Parts catalogue code
			GXR 120 T	GXR 120 RT		
21	95701-08040-00	BOLT, FLANGE, 8X40	4	4	-----	KRA2,KRF2,KRH,KRH2,KRMB,KRS2,KRSB
22	95701-08045-00	BOLT, FLANGE, 8X45	-	4	-----	KRB4,KRB6,KRDF,KRDP,KRDY,KRE4,KREE,KRM

E-7

CRANKSHAFT



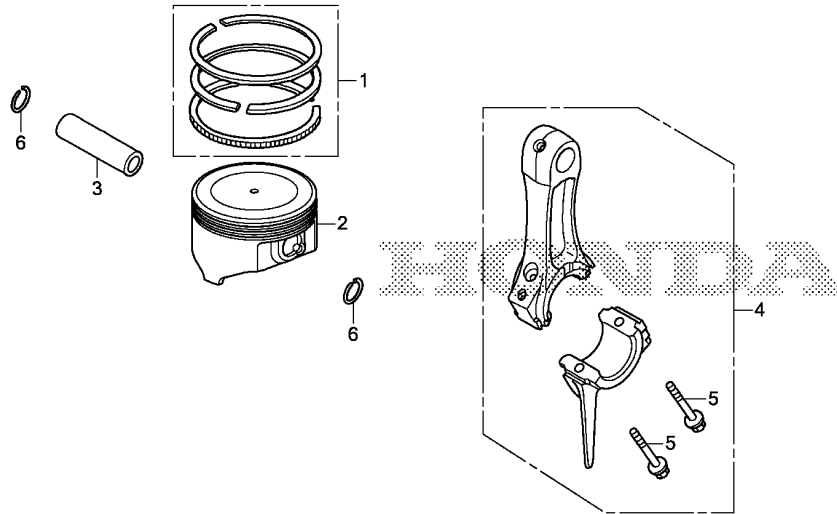
ZDJ0E0700A

Ref. No.	L.O.N.	(Relative ref. Number) Description	F.R.T.
1		(2,4)	
1101F0		CRANKSHAFT	1.3
3	1101A4	BEARING, CRANKSHAFT :FRONT ...	1.4

Ref. No.	Part No.	Description	Reqd. QTY		Serial No.	Parts catalogue code
			GXR 120 T	GXR 120 RT		
1	13310-ZDJ-000	CRANKSHAFT COMP.	1	1	-----	KRAA, KRB3, KRB5, KRBF, KRDF, KREU, KRF1, KRF2, KRG, KRGA, KRGB, KRGF, KRM, KRMB, KRS2, KRWB, KRWE, KRWF
2	13310-ZDJ-800	CRANKSHAFT COMP.	1	1	-----	KRA2, KRB4, KRB6, KRDP, KRDY, KRE4, KREE, KRH, KRH2, KRSB
3	91005-KS4-003	BEARING, RADIAL BALL, 62/22	1	1	-----	
4	13310-ZDJ-V70	CRANKSHAFT COMP.	-	1	-----	KRWN

E-8

PISTON/CONNECTING ROD



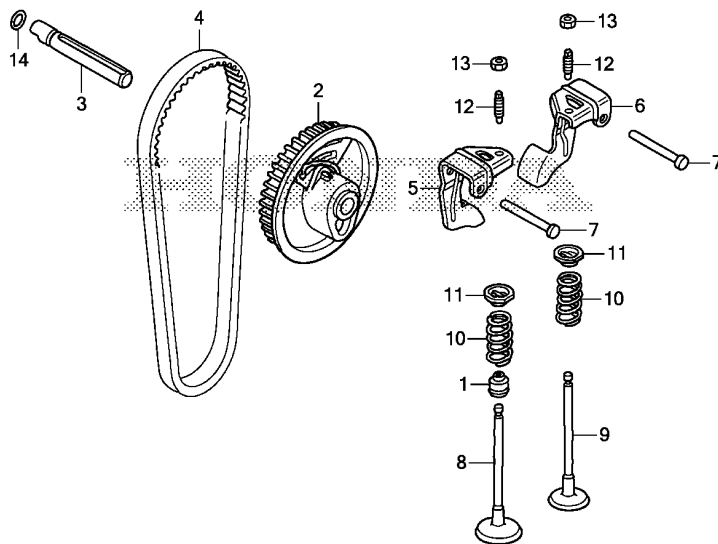
Ref. No.	L.O.N.	(Relative ref. Number) Description	F.R.T.
2	1111R1	(1,3,4) PISTON AND/OR RING SET AND/OR BEARING AND/OR RODINCLUDES: Inspection/ Measurement/Cleaning	1.5

2

Ref. No.	Part No.	Description	Reqd. QTY		Serial No.	Parts catalogue code
			GXR 120 T	GXR 120 RT		
1	13010-ZDJ-003	RING SET, PISTON(STD.) (NIPPON PISTON RING)	1	1		
2	13101-ZDJ-000	PISTON	1	1	-----	KRA2,KRAA,KRB3,KRB4,KRB5,KRBF,KRDF,KRDP,KRDY,KRE4,KREE,KREU,KRF1,KRF2
	13101-ZDJ-800	-	1	-----	KRG,KRGA,KRGF,KRH,KRH2,KRM,KRMB,KRS2,KRSB,KRWB,KRWF
3	13111-ZE0-000	PIN, PISTON	1	1		
4	13200-ZDJ-000	ROD ASSY., CONNECTING	1	1		
	13200-ZDJ-305	ROD ASSY., CONNECTING (UNDER SIZE)	(1)	(1)		
5	90001-ZDJ-000	BOLT, CONNECTING ROD, 6X32 ..	2	2		
6	90551-ZE0-000	CLIP, PISTON PIN, 13MM	2	2		

E-9

CAMSHAFT PULLEY



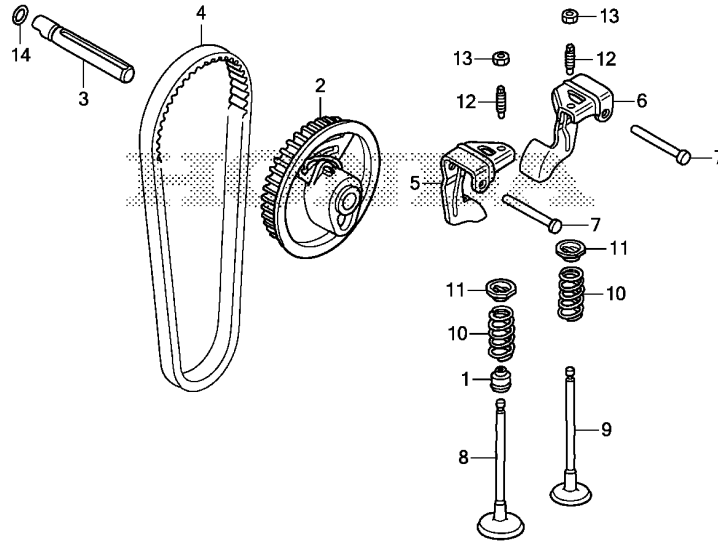
Ref. No.	L.O.N.	(Relative ref. Number) Description	F.R.T.
1	1111K2	SEAL, INTAKE VALVE STEMINCLUDES: Valve clearance adjustment	1.5
2	1111N5	PULLEY, CAMSHAFT	0.4
3	1111R8	SHAFT, CAM PULLEY	0.3
4	1111N6	BELT, TIMING	0.9
5	1111A2	ARM, ROCKER :INTAKEINCLUDES: Valve clearance adjustment	0.4
	1111A2A	.Replace exhaust rocker arm add	0.1
6	1111A1	ARM, ROCKER :EXHAUSTINCLUDES: Valve clearance adjustment	0.4
	1111A1A	.Replace intake rocker arm add	0.1
8	1111L1	VALVE, INTAKEINCLUDES: Valve clearance adjustment and reface	1.6
	1111L1E	.Replace intake and exhaust all add	0.2
9	1111L0	VALVE, EXHAUSTINCLUDES: Valve clearance adjustment and reface	1.6
		+	

Ref. No.	Part No.	Description	Reqd. QTY		Serial No.	Parts catalogue code
			GXR 120 T	GXR 120 RT		
1	12209-KT7-013	SEAL, VALVE STEM	1	1		
2	14320-ZDD-000	PULLEY COMP., CAMSHAFT	1	1		
3	14324-ZDD-000	SHAFT, CAM PULLEY	1	1		
4	14400-ZDD-003	BELT, TIMING(61YU7 G-200) ...	1	1		
5	14431-ZDD-000	ARM, IN. VALVE ROCKER	1	1		
6	14441-ZDD-000	ARM, EX. VALVE ROCKER	1	1		
7	14461-ZL8-000	SHAFT, ROCKER ARM	2	2		
8	14711-ZDD-000	VALVE, IN.	1	1		
9	14721-ZDD-000	VALVE, EX.	1	1		
10	14751-ZDD-000	SPRING, VALVE	2	2		
11	14771-ZM3-010	RETAINER, VALVE SPRING	2	2		
12	90012-333-000	SCREW, TAPPET ADJUSTING	2	2		
13	90206-001-000	NUT, TAPPET ADJUSTING	2	2		
14	91301-ZM0-V31	O-RING, 6.8X1.9(ARAI)	1	1		



E-9

CAMSHAFT PULLEY

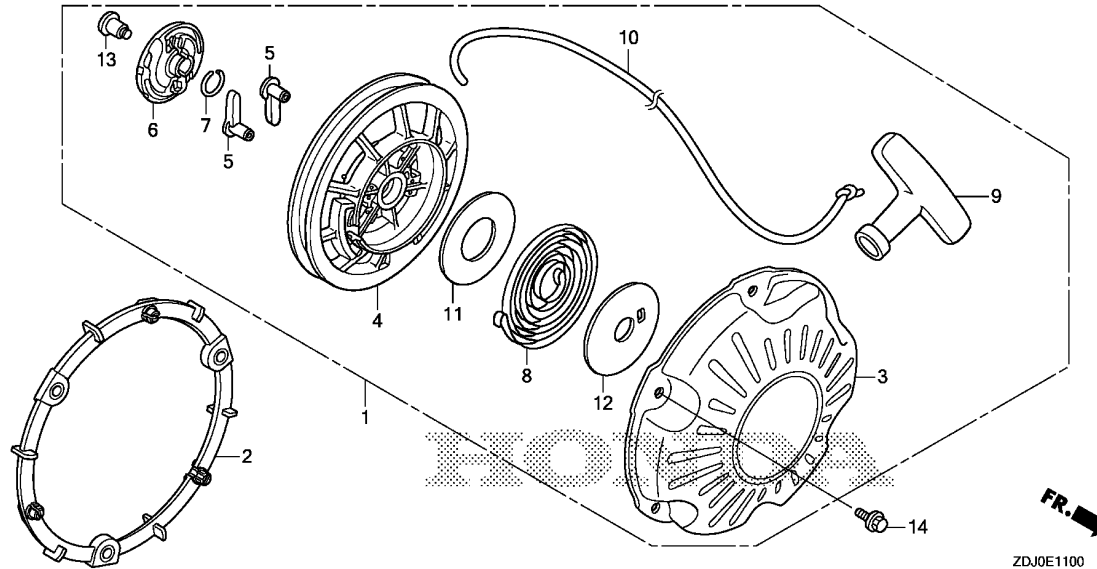


FR. 
ZDJ0E0900

Ref. No.	L.O.N.	(Relative ref. Number) Description	F.R.T.
+ 9	1111L0E	.Replace intake and exhaust all add	0.2
10	1111P3	SPRING, VALVE :INTAKE	1.5
		.INCLUDES: Valve clearance adjustment	
	1111P3A	.Replace intake and exhaust all add	0.1
	1111P4	SPRING, VALVE :EXHAUST	1.5
		.INCLUDES: Valve clearance adjustment	
	1111P4A	.Replace intake and exhaust all add	0.1

E-11

RECOIL STARTER

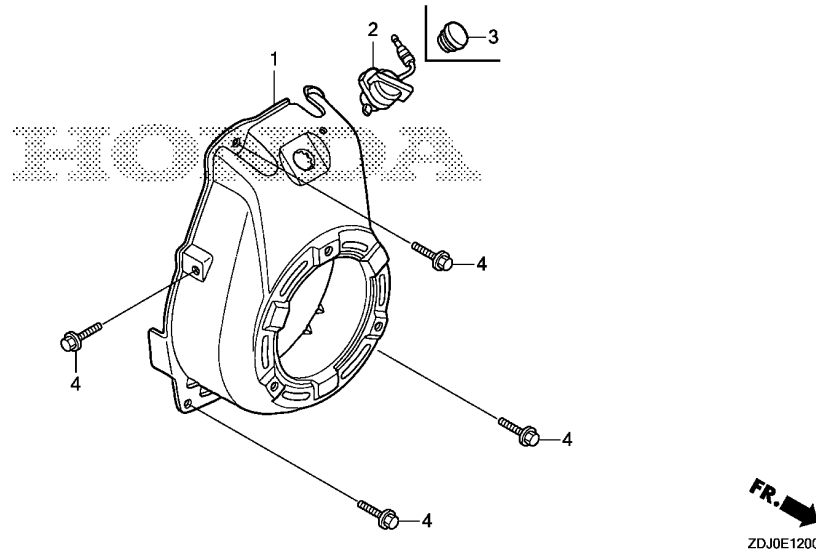


Ref. No.	L.O.N.	(Relative ref. Number) Description	F.R.T.
1	1121B9	STARTER, RECOIL	0.1
4	1121B1	REEL, RECOIL STARTER	0.3
5	1121B0	STARTER RATCHET AND/OR SPRING .NOTE: Same time for two units	0.2
6	1121A4	GUIDE, RATCHET	0.2
8	1121B7	SPRING, RECOIL STARTER RETURN	0.3
9	1121A3	GRIP, RECOIL STARTER	0.1
10	1121B3	ROPE, RECOIL STARTER	0.4

Ref. No.	Part No.	Description	Reqd. QTY		Serial No.	Parts catalogue code
			GXR 120 T	GXR 120 RT		
1	28400-ZDJ-003ZB	STARTER ASSY., RECOIL *NH1*.....BLACK	1	1	-----	KRA2,KRAA,KRB3,KRB4,KRB5,KRB6,KRBF,KRDF,KRDP,KRDY,KRE4,KREU,KRF1,KRF2
	28400-ZDJ-003ZA	*R280*.....POWER RED	1	1	-----	KRG,KRGA,KRGB,KRSB,KRWB,KRWE,KRWF,KRWN
	28400-ZDJ-305ZA	STARTER ASSY., RECOIL(COO) (FOR U.S.A.)			-----	KRA2,KRB4,KRDF,KREE,KRG,KRGF,KRH,KRH2,KRM,KRMB,KRS2,KRSB
2	28405-ZDJ-000	*NH1*.....BLACK SPACER, RECOIL STARTER MOUNTING	-	1	-----	KRWN
3	28410-ZDJ-003ZB	CASE COMP., RECOIL STARTER *NH1*.....BLACK	1	1	-----	KRA2,KRAA,KRB3,KRB4,KRB5,KRB6,KRBF,KRDF,KRDP,KRDY,KRE4,KREU,KRF1,KRF2
	28410-ZDJ-003ZA	*R280*.....POWER RED	1	1	-----	KRA2,KRB4,KRDF,KREE,KRG,KRGF,KRH,KRH2,KRM,KRMB,KRS2,KRSB
4	28421-ZOD-V02	REEL, RECOIL STARTER	1	1	-----	KRA2,KRAA,KRB3,KRB4,KRB5,KRBF,KRDF,KRDP,KRDY,KREE,KRF1,KRF2,KRG,KRGA
	28421-ZDD-003	REEL, RECOIL STARTER(BLACK)	-	1	-----	KRGF,KRH,KRH2,KRM,KRMB,KRS2,KRSB,KRWB,KRWF
5	28422-ZG0-W02	RATCHET, STARTER	2	2	-----	KRB6,KRE4,KREU,KRGB,KRWE,KRWN
6	28433-ZG0-W02	GUIDE, RATCHET	1	1		
7	28441-ZW6-003	SPRING, FRICTION	1	1		
8	28442-ZH8-003	SPRING, RECOIL STARTER	1	1		
9	28461-ZH8-013	KNOB, RECOIL STARTER	1	1	-----	KRA2,KRAA,KRB3,KRB4,KRB5,KRBF,KRDF,KRDP,KRDY,KREE,KRF1,KRF2,KRG,KRGA
	28461-ZDD-003	-	1	-----	KRGF,KRH,KRH2,KRM,KRMB,KRS2,KRSB,KRWB,KRWF
10	28462-ZOD-V03	ROPE, RECOIL STARTER	1	1	-----	KRB6,KRE4,KREU,KRGB,KRWE,KRWN
11	28467-ZOD-V02	PLATE, SIDE	1	1		
12	28468-ZOD-V02	PLATE, SLIDE	1	1		
13	90003-ZH8-003	SCREW, SETTING	1	1		
14	95701-06014-00	BOLT, FLANGE, 6X14	3	3		

E-12

FAN COVER



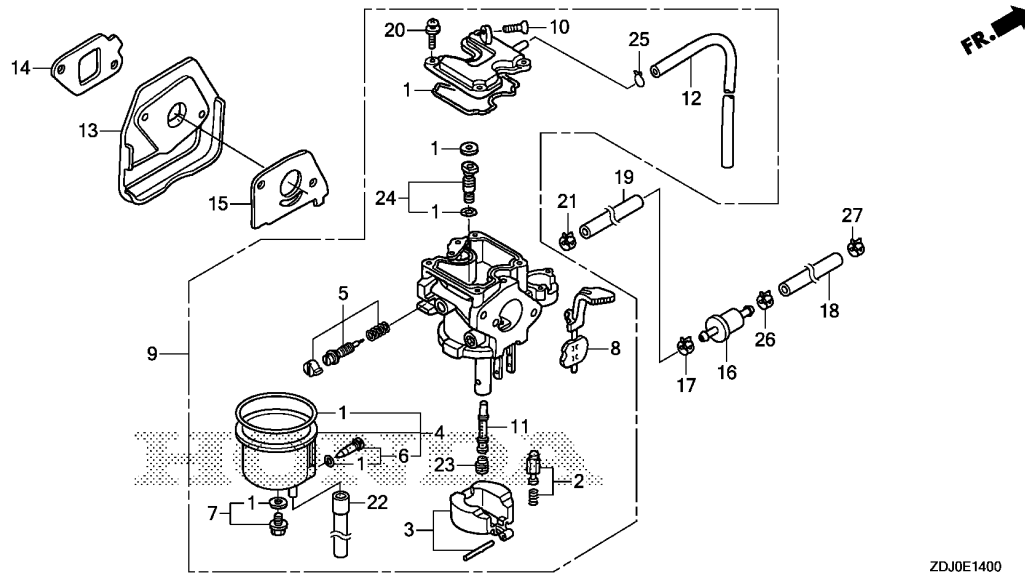
Ref. No.	L.O.N.	(Relative ref. Number) Description	F.R.T.
1	1141G8	COVER, ENGINE COOLING FAN	0.2
2	6151D9	SWITCH, ENGINE STOP	0.2

2

Ref. No.	Part No.	Description	Reqd. QTY		Serial No.	Parts catalogue code
			GXR 120 T	GXR 120 RT		
1	19610-Z0D-V00ZC	COVER COMP., FAN				
	R280POWER RED	1	1	-----	KRA2,KRB4,KRDF,KREE,KRG,KRH,KRH2,KRM,KRMB,KRS2,KRSB
	19610-Z4E-S30ZA	*NH1*.....BLACK	1	1	-----	KRB3,KRB5,KRBF,KRF1,KRF2
	19610-Z0D-V00ZB	*NH1*.....BLACK	-	1	-----	KRA2,KRB4,KRB6,KRDF,KRE4,KREU,KRG,KRSB
	19610-Z4E-S11ZA	*NH1*.....BLACK	-	1	-----	KRAA,KRGA,KRGB,KRWN
	19610-Z4E-V60ZA	*NH1*.....BLACK	-	1	-----	KRDP,KRDY,KRWB,KRWE,KRWF
	19610-Z4E-S11ZB	*R280*.....POWER RED	-	1	-----	KRGF
2	35120-Z0D-V81	SWITCH ASSY., ENGINE STOP ...	1	1	-----	KRA2,KRAA,KRB4,KRB6,KRDF,KRE4,KREE,KREU,KRH,KRH2,KRM,KRMB
3	81329-567-020	GROMMET, DRAIN HOLE	-	1	-----	KRG,KRGA,KRGB,KRGF,KRS2,KRSB,KRWN
4	90014-952-000	BOLT, FLANGE, 6X14(CT200) ...	4	4		

E-14

CARBURETOR(1)(RAMMER FLOAT)



ZDJ0E1400

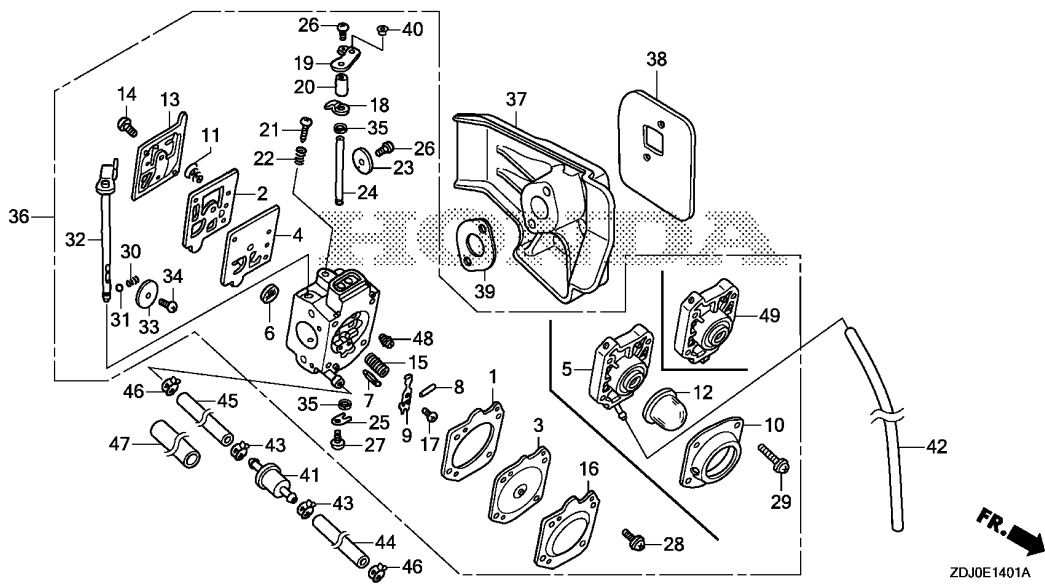
Ref. No.	L.O.N.	(Relative ref. Number) Description	F.R.T.
1	3111B1	GASKET SET, CARBURETOR (3)	0.3
2	3111E1	FLOAT VALVE SET AND/OR FLOAT SET	0.3
4	3111A3	FLOAT CHAMBER SET AND/OR GASKET	0.2
5	3111D7	SCREW SET, PILOT	0.2
8	8101C5	CHOKE SET, CARBURETOR	0.2
9	3111F3	CARBURETOR (14)	0.2
13	3111C0	CARBURETOR INSULATOR AND/OR PACKING	0.2
15	3111C8	PACKING, CARBURETOR (11)	0.2
23	3111C3	JET, MAIN	0.3

Ref. No.	Part No.	Description	Reqd. QTY		Serial No.	Parts catalogue code
			GXR 120 T	GXR 120 RT		
1	16010-Z4E-W51	GASKET SET	1	1	KRA2,KRB3,KRB4,KRB5,KRDY,KRH2,KRS2	
2	16011-ZE0-005	VALVE SET, FLOAT	1	1	KRA2,KRB3,KRB4,KRB5,KRDY,KRH2,KRS2	
3	16013-ZG0-811	FLOAT SET	1	1	KRA2,KRB3,KRB4,KRB5,KRDY,KRH2,KRS2	
4	16015-Z4E-W51	CHAMBER SET, FLOAT	1	1	KRA2,KRB3,KRB4,KRB5,KRDY,KRH2,KRS2	
5	16016-Z0D-V21	SCREW SET	1	1	KRA2,KRB3,KRB4,KRB5,KRDY,KRH2,KRS2	
6	16024-124-760	SCREW SET, DRAIN	1	1	KRA2,KRB3,KRB4,KRB5,KRDY,KRH2,KRS2	
7	16028-ZC0-005	SCREW SET	1	1	KRA2,KRB3,KRB4,KRB5,KRDY,KRH2,KRS2	
8	16044-Z0D-V21	LEVER SET, CHOKE	1	1	KRA2,KRB4,KRH2,KRS2	
	16044-Z0D-S01		1	1	KRB3,KRB5,KRDY	
9	16100-ZDJ-821	CARBURETOR ASSY.(BF33S A)	1	1	KRA2,KRB4,KRH2,KRS2	
	16100-ZDJ-831	CARBURETOR ASSY.(BF33R A)	1	1	KRB3,KRB5,KRDY	
	16100-ZDJ-841	CARBURETOR ASSY.	-	1	KRB6	
10	16124-ZE0-005	SCREW, THROTTLE STOP	1	1	KRA2,KRB3,KRB4,KRB5,KRDY,KRH2,KRS2	
11	16166-ZDJ-821	NOZZLE, MAIN	1	1	KRA2,KRB3,KRB4,KRB5,KRDY,KRH2,KRS2	
12	16199-Z0D-V21	TUBE, AIR VENT	1	1	KRA2,KRB3,KRB4,KRB5,KRDY,KRH2,KRS2	
13	16211-Z0D-010	INSULATOR, CARBURETOR	1	1	KRA2,KRB3,KRB4,KRB5,KRB6,KRDY,KRH2,KRS2	
14	16212-Z0D-V20	PACKING, INSULATOR	1	1	KRA2,KRB3,KRB4,KRB5,KRB6,KRDY,KRH2,KRS2	
15	16221-ZG0-801	PACKING, CARBURETOR	1	1	KRA2,KRB3,KRB4,KRB5,KRB6,KRDY,KRH2,KRS2	
16	16910-GB2-005	STRAINER COMP., FUEL	-	1	KRB6	
	16910-ZBH-821		-	1	1000028 KRS2	
	16910-Z4E-S21		-	1	1000109 KRB4	
	16910-ZE8-015		-	1	1000029 KRS2	
	16910-GB2-005		-	1	1000110 KRB4	
17	95002-40850-08	CLAMP, TUBE(D8.5)	1	1	KRA2,KRB3,KRB5,KRB6,KRH2	
	90602-Z4E-003	CLAMP, TUBE(D9.4)	-	1	1000028 KRS2	
			-	1	1000109 KRB4	



E-14-1

CARBURETOR(2)(RAMMER FLOATLESS)



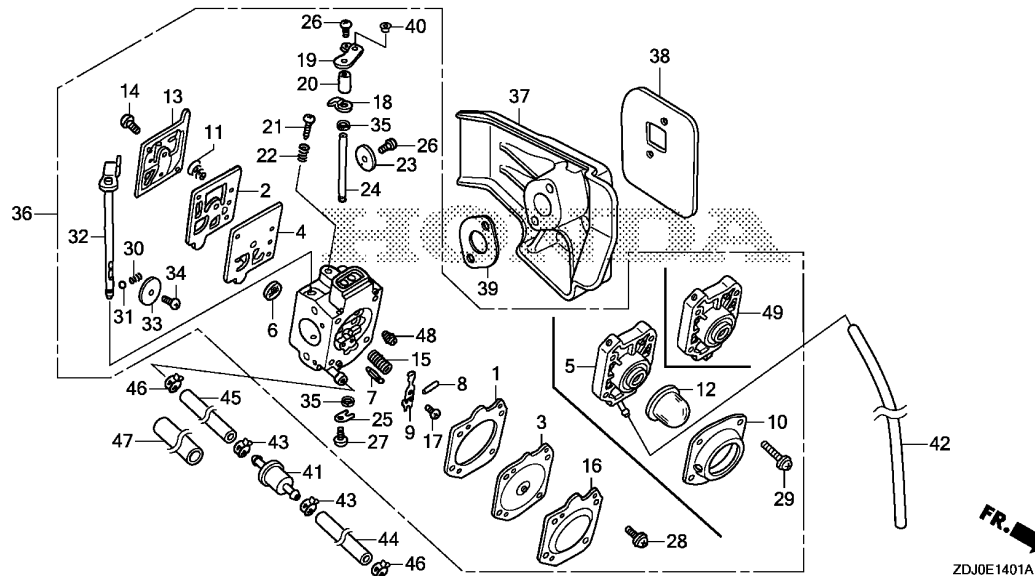
Ref. No.	L.O.N.	(Relative ref. Number) Description	F.R.T.
1	3111J0	GASKET, CARBURETOR METERING DIAPHRAGM	0.2
2	3111B7	GASKET, CARBURETOR PUMP	0.2
3	3111A8	DIAPHRAGM, CARBURETOR METERING	0.2
4	3111A9	DIAPHRAGM, CARBURETOR PUMP ...	0.2
5	3111A1	BODY, AIR PURGE	0.2
6	3111J3	SCREEN, CARBURETOR INLET	0.2
7	3111E3	VALVE, INLET NEEDLE	0.3
12	3111D5	PUMP, PRIMER	0.2
24	3111J5	SHAFT, CARBURETOR THROTTLE ...	0.2
32	3111J4	SHAFT, CARBURETOR CHOKE	0.2
36	3111F3	CARBURETOR	0.2
37	3111C0	CARBURETOR INSULATOR AND/OR PACKING	0.2
39	3111C8	PACKING, CARBURETOR	0.2
48	3111C3	JET, MAIN	0.3

Ref. No.	Part No.	Description	Reqd. QTY		Serial No.	Parts catalogue code
			GXR 120 T	GXR 120 RT		
1	16010-Z0D-V02	GASKET, METERING DIAPHRAGM ..	1	1	-----	KRAA, KRBF, KRDF, KRDP, KRE4, KREE, KREU, KRF1, KRF2, KRGR, KRGA, KRGB, KRGF, KRH, KRM, KRMB, KRMB, KRWB, KRWE, KRWF
	16010-ZDD-R02	-	1	-----	KRWN
2	16011-Z0D-V02	GASKET, PUMP	1	1	-----	KRAA, KRBF, KRDF, KRDP, KRE4, KREE, KREU, KRF1, KRF2, KRGR, KRGA, KRGB, KRGF, KRH, KRM, KRMB, KRMB, KRWB, KRWE, KRWF, KRWN
3	16013-Z4E-S44	DIAPHRAGM ASSY., METERING ...	1	1	-----	KRAA, KRBF, KRDF, KRDP, KRE4, KREE, KREU, KRF1, KRF2, KRGR, KRGA, KRGB, KRGF, KRH, KRM, KRMB, KRMB, KRWB, KRWE, KRWF
	16013-ZDD-R02	-	1	-----	KRWN
4	16014-Z0D-V02	DIAPHRAGM, PUMP	1	1	-----	KRAA, KRBF, KRDF, KRDP, KRE4, KREE, KREU, KRF1, KRF2, KRGR, KRGA, KRGB, KRGF, KRH, KRM, KRMB, KRMB, KRWB, KRWE, KRWF, KRWN
5	16017-Z4E-S32	BODY ASSY., AIR PURGE	1	1	-----	KRBF, KRDF, KRDP, KRF1, KRWB
6	16018-ZM3-004	SCREEN, INLET	1	1	-----	KRAA, KRBF, KRDF, KRDP, KRE4, KREE, KREU, KRF1, KRF2, KRGR, KRGA, KRGB, KRGF, KRH, KRM, KRMB, KRMB, KRWB, KRWE, KRWF, KRWN
7	16019-ZM3-004	VALVE, INLET NEEDLE	1	1	-----	KRAA, KRBF, KRDF, KRDP, KRE4, KREE, KREU, KRF1, KRF2, KRGR, KRGA, KRGB, KRGF, KRH, KRM, KRMB, KRMB, KRWB, KRWE, KRWF, KRWN
8	16022-ZM3-014	PIN, METERING LEVER	1	1	-----	KRAA, KRBF, KRDF, KRDP, KRE4, KREE, KREU, KRF1, KRF2, KRGR, KRGA, KRGB, KRGF, KRH, KRM, KRMB, KRMB, KRWB, KRWE, KRWF, KRWN
9	16023-Z0D-V02	LEVER, METERING	1	1	-----	KRAA, KRBF, KRDF, KRDP, KRE4, KREE, KREU, KRF1, KRF2, KRGR, KRGA, KRGB, KRGF, KRH, KRM, KRMB, KRMB, KRWB, KRWE, KRWF, KRWN
10	16026-Z4E-S32	COVER, PRIMER PUMP	1	1	-----	KRBF, KRDF, KRDP, KRF1, KRWB, KRWN
11	16030-ZM3-004	SPRING, PUMP	1	1	-----	KRAA, KRBF, KRDF, KRDP, KRE4, KREE, KREU, KRF1, KRF2, KRGR, KRGA, KRGB, KRGF, KRH, KRM, KRMB, KRMB, KRWB, KRWE, KRWF, KRWN
12	16032-Z4E-S32	PUMP, PRIMER	1	1	-----	KRBF, KRDF, KRDP, KRF1, KRWB, KRWN
13	16040-Z4E-802	COVER, PUMP	1	1	-----	KRAA, KRBF, KRDF, KRDP, KRE4, KREE, KREU, KRF1, KRF2, KRGR, KRGA, KRGB, KRGF, KRH, KRM, KRMB, KRMB, KRWB, KRWE, KRWF, KRWN
14	16041-Z0D-V02	SCREW	1	1	-----	KRAA, KRBF, KRDF, KRDP, KRE4, KREE, KREU, KRF1, KRF2, KRGR, KRGA, KRGB, KRGF, KRH, KRM, KRMB, KRMB, KRWB, KRWE, KRWF, KRWN



E-14-1

CARBURETOR(2)(RAMMER FLOATLESS)



ZDJ0E1401A

Ref. No.	Part No.	Description	Reqd. QTY		Serial No.	Parts catalogue code
			GXR 120 T	GXR 120 RT		
15	16042-Z0D-V02	SPRING	1	1	-----	KRAA, KRBF, KRDF, KRDP, KRE4, KREE, KREU, KRF1, KRF2, KRGA, KRGB, KRGF, KRH, KRM, KRMB, KRMB, KRWB, KRWE, KRWF, KRWN
16	16043-Z0D-V02	COVER, METERING DIAPHRAGM ...	1	1	-----	KRAA, KRE4, KREE, KREU, KRF2, KRGA, KRGB, KRGF, KRH, KRM, KRMB, KRWB, KRWE, KRWF
17	16044-Z4E-802	SCREW	1	1	-----	KRAA, KRBF, KRDF, KRDP, KRE4, KREE, KREU, KRF1, KRF2, KRGA, KRGB, KRGF, KRH, KRM, KRMB, KRWB, KRWE, KRWF, KRWN
18	16045-Z0D-V02	STOPPER, THROTTLE LEVER	1	1	-----	KRAA, KRBF, KRDF, KRDP, KRE4, KREE, KREU, KRF1, KRF2, KRGA, KRGB, KRGF, KRH, KRM, KRMB, KRWB, KRWE, KRWF, KRWN
19	16046-Z0D-V73	LEVER, THROTTLE	1	1	-----	KRAA, KRBF, KRDF, KRDP, KRE4, KREE, KREU, KRF1, KRF2, KRGA, KRGB, KRGF, KRH, KRM, KRMB, KRWB, KRWE, KRWF, KRWN
20	16048-Z0D-V02	SPACER, THROTTLE LEVER	1	1	-----	KRAA, KRBF, KRDF, KRDP, KRE4, KREE, KREU, KRF1, KRF2, KRGA, KRGB, KRGF, KRH, KRM, KRMB, KRWB, KRWE, KRWF, KRWN
21	16049-Z4E-S12	SCREW, IDLE ADJUSTING	1	1	-----	KRAA, KRBF, KRDF, KRDP, KRE4, KREE, KREU, KRF1, KRF2, KRGA, KRGB, KRGF, KRH, KRM, KRMB, KRWB, KRWE, KRWF, KRWN
22	16050-Z0D-V02	SPRING	1	1	-----	KRAA, KRBF, KRDF, KRDP, KRE4, KREE, KREU, KRF1, KRF2, KRGA, KRGB, KRGF, KRH, KRM, KRMB, KRWB, KRWE, KRWF, KRWN
23	16051-Z4E-S44	VALVE, THROTTLE	1	1	-----	KRAA, KRBF, KRDF, KRDP, KRE4, KREE, KREU, KRF1, KRF2, KRGA, KRGB, KRGF, KRH, KRM, KRMB, KRWB, KRWE, KRWF, KRWN
24	16052-Z0D-V02	SHAFT, THROTTLE	1	1	-----	KRAA, KRBF, KRDF, KRDP, KRE4, KREE, KREU, KRF1, KRF2, KRGA, KRGB, KRGF, KRH, KRM, KRMB, KRWB, KRWE, KRWF, KRWN
25	16053-Z0D-V02	CLIP, THROTTLE SHAFT	1	1	-----	KRAA, KRBF, KRDF, KRDP, KRE4, KREE, KREU, KRF1, KRF2, KRGA, KRGB, KRGF, KRH, KRM, KRMB, KRWB, KRWE, KRWF, KRWN
26	16054-Z0D-V02	SCREW, VALVE	2	2	-----	KRAA, KRBF, KRDF, KRDP, KRE4, KREE, KREU, KRF1, KRF2, KRGA, KRGB, KRGF, KRH, KRM, KRMB, KRWB, KRWE, KRWF, KRWN
27	16055-Z0D-V02	SCREW ASSY.	1	1	-----	KRAA, KRBF, KRDF, KRDP, KRE4, KREE, KREU, KRF1, KRF2, KRGA, KRGB, KRGF, KRH, KRM, KRMB, KRWB, KRWE, KRWF, KRWN

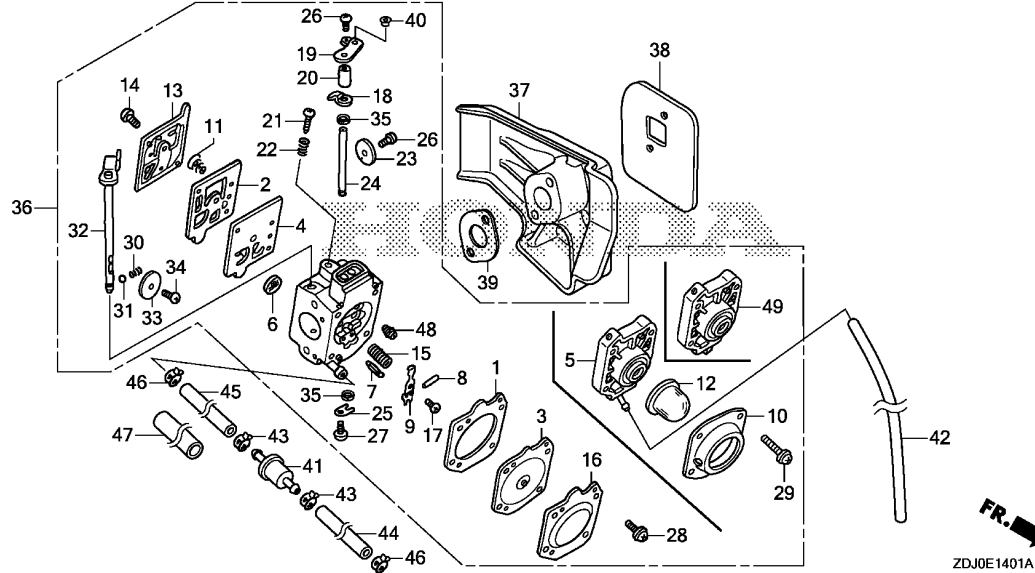
E-14-1

CARBURETOR(2)(RAMMER FLOATLESS)

Ref. No.	Part No.	Description	Reqd. QTY		Serial No.	Parts catalogue code
			GXR 120 T	GXR 120 RT		
28	16055-Z0D-V02	SCREW ASSY.	4	4	-----	KRAA,KRE4,KREE,KREU,KRF2,KRG,KRGA,KRGB,KRGF,KRH,KRM,KRMB,KRSB,KRWE KRWF
29	16055-Z4E-S32	SCREW ASSY.	4	4	-----	KRBF,KRDF,KRDP,KRF1,KRWB,KRWN
30	16056-Z0D-V02	SPRING	1	1	-----	KRAA,KRBF,KRDF,KRDP,KRE4,KREE,KREU,KRF1,KRF2,KRG,KRGA,KRGB,KRGF,KRH KRM,KRMB,KRSB,KRWB,KRWE,KRWF,KRWN
31	16057-Z0D-V02	BALL	1	1	-----	KRAA,KRBF,KRDF,KRDP,KRE4,KREE,KREU,KRF1,KRF2,KRG,KRGA,KRGB,KRGF,KRH KRM,KRMB,KRSB,KRWB,KRWE,KRWF,KRWN
32	16058-Z0D-V02	SHAFT ASSY., CHOKE	1	1	-----	KRBF,KRDF,KRDP,KRF1,KRF2,KRH,KRM,KRMB,KRSB,KRWB,KRWN
	16058-Z0D-V72	-	1	-----	KRAA,KRE4,KREE,KREU,KRG,KRGA,KRGB,KRGF,KRWE,KRWF
33	16059-Z0D-V03	VALVE, CHOKE	1	1	-----	KRAA,KRBF,KRDF,KRDP,KRE4,KREE,KREU,KRF1,KRF2,KRG,KRGA,KRGB,KRGF,KRH KRM,KRMB,KRSB,KRWB,KRWE,KRWF,KRWN
34	16060-Z0D-V02	SCREW	1	1	-----	KRAA,KRBF,KRDF,KRDP,KRE4,KREE,KREU,KRF1,KRF2,KRG,KRGA,KRGB,KRGF,KRH KRM,KRMB,KRSB,KRWB,KRWE,KRWF,KRWN
35	16061-Z0D-V02	SEAL, DUST	2	2	-----	KRAA,KRBF,KRDF,KRDP,KRE4,KREE,KREU,KRF1,KRF2,KRG,KRGA,KRGB,KRGF,KRH KRM,KRMB,KRSB,KRWB,KRWE,KRWF,KRWN
36	16100-ZDJ-813	CARBURETOR ASSY. (HDA-323) ...	1	1	-----	KRBF,KRDF,KRDP,KRF1,KRWB
	16100-ZDJ-803	CARBURETOR ASSY. (HDA-322) ...	1	1	-----	KRF2,KRH,KRM,KRMB,KRSB
	16100-ZDJ-014	CARBURETOR ASSY. (HDA-321) ...	-	1	-----	KRAA,KRE4,KREE,KREU,KRG,KRGA,KRGF,KRWF
	16100-ZDJ-842	CARBURETOR ASSY. (HDA-332) ...	-	1	-----	KRGB,KRWE
	16100-ZDJ-V72	CARBURETOR ASSY. (HDA-329) ...	-	1	-----	KRWN
37	16211-ZDJ-000	INSULATOR, CARBURETOR	1	1	-----	KRAA,KRBF,KRDF,KRDP,KRE4,KREE,KREU,KRF1,KRF2,KRG,KRGA,KRGB,KRGF,KRH KRM,KRMB,KRSB,KRWB,KRWE,KRWF,KRWN
38	16212-Z0D-V00	PACKING, INSULATOR	1	1	-----	KRAA,KRBF,KRDF,KRDP,KRE4,KREE,KREU,KRF1,KRF2,KRG,KRGA,KRGB,KRGF,KRH KRM,KRMB,KRSB,KRWB,KRWE,KRWF,KRWN
39	16221-Z0D-V00	PACKING, CARBURETOR	1	1	-----	KRAA,KRBF,KRDF,KRDP,KRE4,KREE,KREU,KRF1,KRF2,KRG,KRGA,KRGB,KRGF,KRH KRM,KRMB,KRSB,KRWB,KRWE,KRWF,KRWN
40	16552-896-650	COLLAR, LEVER	1	1	-----	KRAA,KRBF,KRDF,KRDP,KRE4,KREE,KREU,KRF1,KRF2,KRG,KRGA,KRGB,KRGF,KRH KRM,KRMB,KRSB,KRWB,KRWE,KRWF,KRWN
41	16910-Z4E-S21	STRAINER COMP., FUEL	1	1	-----	KRBF,KRDF,KRF1,KRF2,KRSB,KRWB
	16910-GB2-005	-	1	1000055	KRM
	16910-GB2-005	-	1	1000056	KRM
42	17702-Z4E-S21	TUBE, FUEL RETURN	-	1	-----	KRDF,KRWB
43	95002-40850-08	CLAMP, TUBE(D8.5)	1	1	-----	KRE4,KREE,KREU,KRF2,KRH,KRMB
	90602-Z4E-003	CLAMP, TUBE(D9.4)	2	1	-----	KRF1,KRSB
			-	2	-----	KRBF,KRDF,KRWB
			-	2	1000055	KRM
	95002-40850-08	CLAMP, TUBE(D8.5)	-	2	1000056	KRM
44	91434-Z4E-812	HOSE, FUEL, 4.2X80(FKM)	1	1	-----	KRBF,KRF1
	91434-Z4E-882	HOSE, FUEL, 4.2X300(FKM)	-	1	-----	KRDF
	91434-Z4E-892	HOSE, FUEL, 4.2X310(FKM)	-	1	-----	KRM
	91434-Z4E-872	HOSE, FUEL, 4.2X270(FKM)	-	1	-----	KRWB
45	91434-Z4E-902	HOSE, FUEL, 4.2X330(FKM)	1	1	-----	KRBF,KRF1
	91434-Z4E-912	HOSE, FUEL, 4.2X400(FKM)	1	1	-----	KRE4,KREE,KREU,KRH,KRMB
	91434-Z4E-922	HOSE, FUEL, 4.2X600(FKM)	-	1	-----	KRDF,KRF2
	91434-Z4E-842	HOSE, FUEL, 4.2X120(FKM)	-	1	-----	KRM
	91434-Z4E-832	HOSE, FUEL, 4.2X100(FKM)	-	1	-----	KRSB
	91434-Z4E-882	HOSE, FUEL, 4.2X300(FKM)	-	1	-----	KRWB
46	95002-40850-08	CLAMP, TUBE(D8.5)	2	-	-----	KRF1
			1	-	-----	KRH
			-	2	-----	KRBF,KRDF,KRM,KRWB
			-	1	-----	KRE4,KREE,KREU,KRF2,KRMB,KRSB
47	95003-36026-20	TUBE, VINYL, 11X13X260 (95003-36001-10M)	1	1	-----	KRBF,KRF1

E-14-1

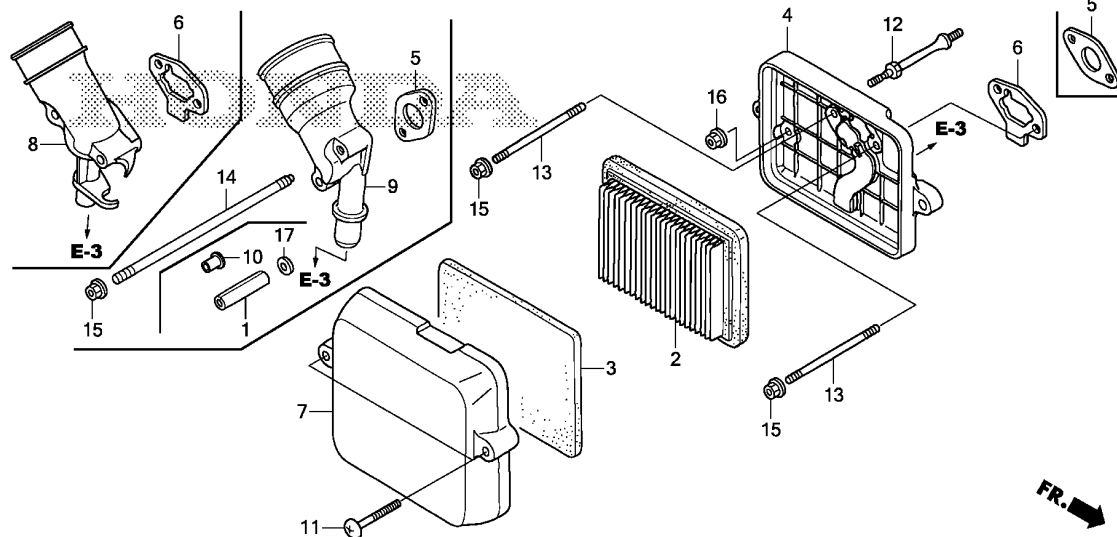
CARBURETOR(2)(RAMMER FLOATLESS)



Ref. No.	Part No.	Description	Reqd. QTY		Serial No.	Parts catalogue code
			GXR 120 T	GXR 120 RT		
48	99101-Z0D-0440	JET(#44)	(1)	(1)	-----	KRAA,KRBF,KRDF,KRDP,KRE4,KREE,KREU,KRF1,KRF2,KRG,KRGA,KRGB,KRGF,KRH,KRM,KRMB,KRSB,KRWB,KRWE,KRWF
	99101-Z0D-0480	JET(#48)	1	1	-----	KRAA,KRBF,KRDF,KRDP,KRE4,KREE,KREU,KRF1,KRF2,KRG,KRGA,KRGF,KRH,KRM,KRMB,KRSB,KRWB,KRWF
	99101-Z0D-0500	JET(#50)	(1)	(1)	-----	KRAA,KRBF,KRDF,KRDP,KRE4,KREE,KREU,KRF1,KRF2,KRG,KRGA,KRGF,KRH,KRM,KRMB,KRSB,KRWB,KRWF
	99101-Z0D-0460	JET(#46)	(1)	(1)	-----	KRAA,KRBF,KRDF,KRDP,KRE4,KREE,KREU,KRF1,KRF2,KRG,KRGA,KRGF,KRH,KRM,KRMB,KRSB,KRWB,KRWF,KRWN
	99101-Z0D-0420	JET(#42)	-	(1)	-----	KRGB,KRWE
	99101-Z0D-0460	JET(#46)	-	1	-----	KRGB,KRWE
	99101-Z0D-0480	JET(#48)	-	(1)	-----	KRGB,KRWE,KRWN
	99101-Z0D-0500	JET(#50)	-	1	-----	KRWN
49	16017-ZDD-R02	BODY ASSY., AIR PURGE	-	1	-----	KRWN

E-15

AIR CLEANER



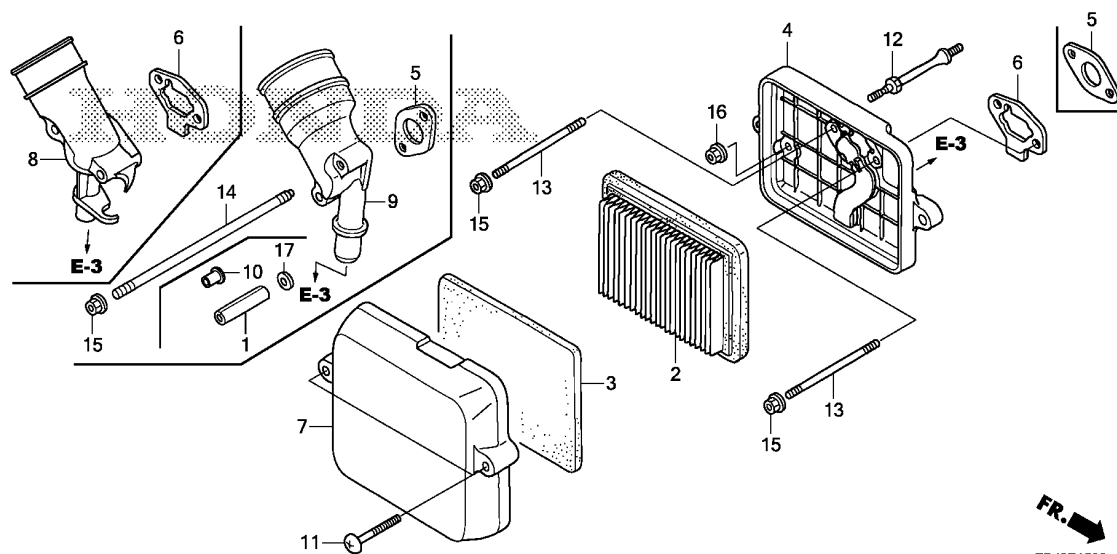
Ref. No.	L.O.N.	(Relative ref. Number) Description	F.R.T.
2	3121B8	ELEMENT, AIR CLEANERINCLUDES: Air cleaner element -inspection	0.1
3	3121C1	FILTER, OUTERINCLUDES: Outer filter-inspection	0.1
4	3121A5	CASE, AIR CLEANER (6)	0.1
5	3121D9	PACKING, AIR CLEANER (6)	0.1

Ref. No.	Part No.	Description	Reqd. QTY		Serial No.	Parts catalogue code
			GXR 120 T	GXR 120 RT		
1	15633-Z0A-300	COLLAR, EXTENSION	-	2	-----	KRDF, KRDP, KRDY, KREE
2	17211-ZL8-023	ELEMENT, AIR CLEANER (TOYO ROKI)	1	1	-----	KRA2, KRB4, KRB6, KRE4, KREU, KRF2, KRGA, KRGB, KRGF, KRH, KRH2, KRM, KRMB, KRS2 KRSB, KRWB, KRWE, KRWF
3	17218-Z0D-000	FILTER, OUTER	1	1	-----	KRA2, KRE4, KREU, KRH2, KRM, KRMB KRGA, KRGB
4	17220-Z0D-V21	CASE COMP., AIR CLEANER	1	1	-----	KRA2, KRB4, KRB6, KRH2, KRS2
	17220-Z0D-V01	1	1	-----	KRE4, KREU, KRF2, KRGA, KRGB, KRGF, KRH, KRM, KRMB, KRSB, KRWB, KRWE, KRWF
5	17228-Z0D-V01	PACKING, AIR CLEANER	1	1	-----	KRAA, KRBF, KRDF, KRDP, KRE4, KREE, KREU, KRF1, KRF2, KRGA, KRGB, KRGF, KRH KRM, KRMB, KRSB, KRWB, KRWE, KRWF, KRWN
6	17228-Z0D-V21	PACKING, AIR CLEANER	1	1	-----	KRA2, KRB3, KRB4, KRB5, KRB6, KRDY, KRH2, KRS2
7	17231-Z0D-010	COVER, AIR CLEANER	1	1	-----	KRA2, KRE4, KREU, KRH2, KRM, KRMB
	17231-Z0D-V62	1	1	-----	KRB4, KRB6, KRF2, KRH, KRS2, KRSB
	17231-Z0D-010	-	(1)	-----	KRGA, KRGB
	17231-Z4E-S11	-	1	-----	KRGA, KRGB, KRGF, KRWB, KRWE, KRWF
8	17410-Z0D-S00	ELBOW COMP., AIR CLEANER	1	1	-----	KRB3, KRB5
9	17410-Z4E-S31	ELBOW, AIR CLEANER	1	1	-----	KRBF, KRF1, KRWN
10	19619-ZM7-300	COLLAR, FAN COVER	-	2	-----	KRAA, KRGA
11	90011-Z0D-000	BOLT, AIR CLEANER COVER	2	2	-----	KRA2, KRB4, KRB6, KRE4, KREU, KRF2, KRGA, KRGB, KRGF, KRH, KRH2, KRM, KRMB, KRS2 KRSB, KRWB, KRWE, KRWF
12	90041-Z0D-V20	BOLT, STUD	1	1	-----	KRA2, KRB4, KRB6, KRH2, KRS2
	90041-Z0D-V00	1	1	-----	KRE4, KREU, KRF2, KRGA, KRGB, KRGF, KRH, KRM, KRMB, KRSB, KRWB, KRWE, KRWF
13	90042-Z0D-V20	BOLT, STUD, 5X75 (CT200)	2	2	-----	KRA2, KRB4, KRB6, KRH2, KRS2
	90042-ZDJ-000	BOLT, STUD, 5X85	2	2	-----	KRE4, KREU, KRF2, KRGA, KRGB, KRGF, KRH, KRM, KRMB, KRSB, KRWB, KRWE, KRWF
14	90042-ZDJ-810	BOLT, STUD, 5X95	2	2	-----	KRAA, KRBF, KRF1, KRWN
	90042-Z4E-S30	2	2	-----	KRB3, KRB5, KRDY
	90042-ZDJ-820	BOLT, STUD, 5X110	-	2	-----	KRDF, KRDP, KREE



E-15

AIR CLEANER

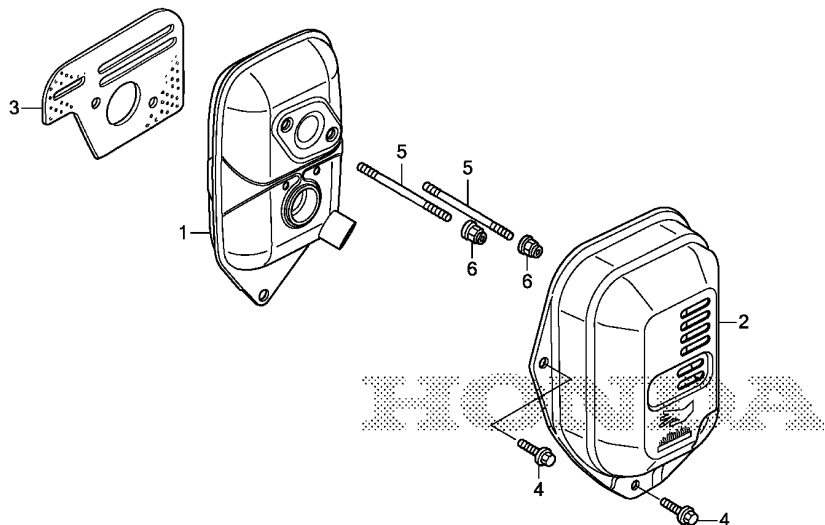


2

Ref. No.	Part No.	Description	Reqd. QTY		Serial No.	Parts catalogue code
			GXR 120 T	GXR 120 RT		
14)	90042-ZDJ-800	BOLT, STUD, 5X91	-	2	-----	KRG
15	94050-05000	NUT, FLANGE, 5MM	2	2	-----	
16	94050-06000	NUT, FLANGE, 6MM	1	1	-----	KRA2,KRB4,KRB6,KRE4,KREU,KRF2,KRGA,KRGB,KRGF,KRH,KRH2,KRM,KRMB,KRS2
17	94101-05000	WASHER, PLAIN, 5MM	-	2	-----	KRSB,KRWB,KRWE,KRWF KRDF,KRDP,KRDY,KREE

E-16

MUFFLER



ZDJ0E1600

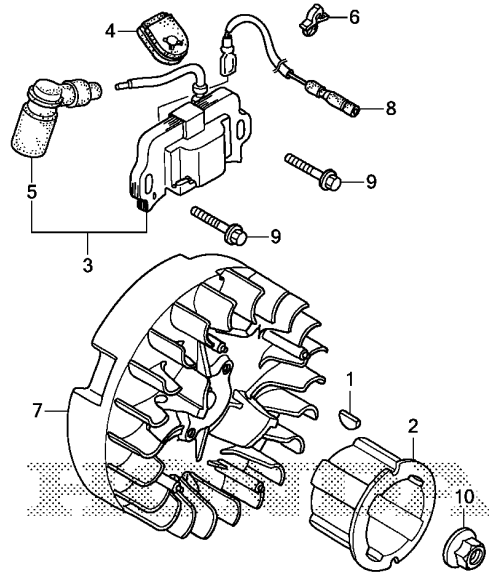
Ref. No.	L.O.N.	(Relative ref. Number) Description	F.R.T.
1	3131C5	MUFFLER, EXHAUST	0.2
2	3131D6	PROTECTOR, EXHAUST MUFFLER ...	0.1
3	3131B4	GASKET, EXHAUST MUFFLER	0.2

Ref. No.	Part No.	Description	Reqd. QTY		Serial No.	Parts catalogue code
			GXR 120 T	GXR 120 RT		
1	18310-ZDJ-000	MUFFLER COMP.(RAMMER)	1	1		
2	18320-ZDJ-000	PROTECTOR COMP., MUFFLER (RAMMER)	1	1		
3	18381-Z0D-000	GASKET, MUFFLER	1	1		
4	90014-952-000	BOLT, FLANGE, 6X14(CT200) ...	3	3		
5	90048-ZDJ-000	BOLT, STUD, 6X56.5	2	2		
6	90343-ZE6-000	NUT, SELF-LOCK, 6MM	2	2		



E-19

FLYWHEEL/IGNITION COIL

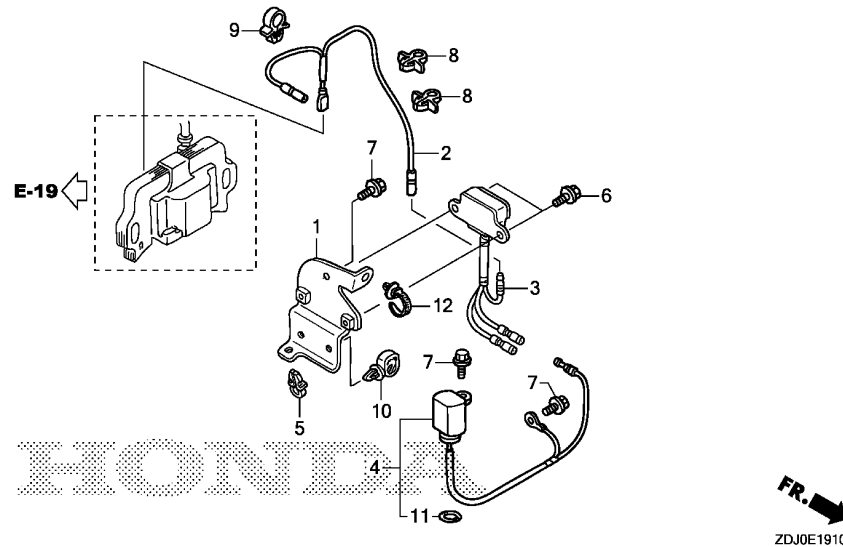


Ref. No.	L.O.N.	(Relative ref. Number) Description	F.R.T.
2	1121A9	PULLEY, RECOIL STARTER	0.2
3	6141A5	COIL, IGNITION(ONE)	0.2
5	6141B8	TERMINAL, HIGH TENSION	0.1
7	2161B5	FLYWHEEL	0.3
8	6111B3	CORD, STOP SWITCH	0.2

Ref. No.	Part No.	Description	Reqd. QTY		Serial No.	Parts catalogue code
			GXR 120 T	GXR 120 RT		
1	13331-357-000	KEY, SPECIAL WOODRUFF, 25X18	1	1		
2	28451-ZDJ-003	PULLEY, STARTER	1	1		
3	30500-ZOD-V02	COIL ASSY., IGNITION	1	1		
4	30564-ZA5-000	GROMMET, CORD	1	1		
5	30700-ZOD-V01	TERMINAL ASSY., HIGH TENSION	1	1		
6	30701-883-000	CLIP, HIGH TENSION CORD(8MM)	1	1	-----	KRA2,KRB3,KRB4,KRB5,KRB6,KRBF,KRDF,KRE4,KREE,KREU,KRF1,KRF2,KRG,KRH,KRH2,KRM,KRMB,KRS2,KRSB
7	31110-ZDJ-003	FLYWHEEL COMP.	1	1		
8	32195-ZOD-000	CORD, STOP SWITCH	1	1	-----	KRA2,KRB3,KRB4,KRB5,KRB6,KRBF,KRDF,KRE4,KREE,KREU,KRF1,KRF2,KRG,KRH,KRH2,KRM,KRMB,KRS2,KRSB
9	90022-888-010	BOLT, FLANGE, 6X20(CT200) ...	2	2		
10	90201-ZOT-800	NUT, SPECIAL, 14MM	1	1		

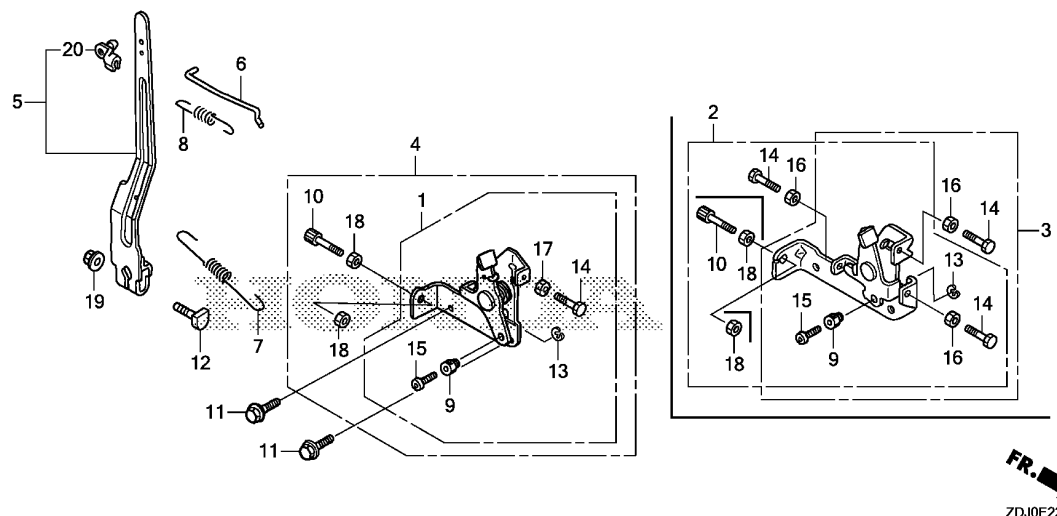
E-19-10

OIL ALERT/OIL LEVEL SWITCH



Ref. No.	L.O.N.	(Relative ref. Number) Description	F.R.T.
2	6111B3	CORD, STOP SWITCH	0.2
3	6151A0	ALERT UNIT, ENGINE OIL	0.2
4		(11)	
	6151E8	SWITCH, OIL LEVEL	0.8

Ref. No.	Part No.	Description	Reqd. QTY		Serial No.	Parts catalogue code
			GXR 120 T	GXR 120 RT		
1	32112-Z4E-S11	BRACKET, OIL ALERT UNIT	-	1	-----	KRAA,KRDP,KRDY,KRGA,KRGB,KRGF,KRWB,KRWE,KRWF,KRWN
2	32195-Z4E-S10	CORD, STOP SWITCH	-	1	-----	KRAA,KRDP,KRDY,KRGA,KRGB,KRGF,KRWB,KRWE,KRWF,KRWN
3	34150-Z4E-801	ALERT UNIT, OIL(START LED) ..	-	1	-----	KRAA,KRDP,KRDY,KRGA,KRGB,KRGF,KRWB,KRWE,KRWF,KRWN
4	35480-Z4E-S11	SWITCH ASSY., OIL LEVEL	-	1	-----	KRAA,KRDP,KRDY,KRGA,KRGB,KRGF,KRWB,KRWE,KRWF,KRWN
5	36103-ZE1-000	HOLDER, STOP SWITCH CORD	-	1	-----	KRAA,KRDP,KRDY,KRGA,KRGB,KRGF,KRWB,KRWE,KRWF,KRWN
6	90002-MC7-000	BOLT, FLANGE, 5X8	-	2	-----	KRAA,KRDP,KRDY,KRGA,KRGB,KRGF,KRWB,KRWE,KRWF,KRWN
7	90014-952-000	BOLT, FLANGE, 6X14(CT200) ...	-	4	-----	KRAA,KRDP,KRDY,KRGA,KRGB,KRGF,KRWB,KRWE,KRWF,KRWN
8	90681-959-003	CLIP A, CABLE(NIFCO) (3.8MM BLACK)	-	2	-----	KRAA,KRDP,KRDY,KRGA,KRGB,KRGF,KRWB,KRWE,KRWF,KRWN
9	90682-959-661	CLIP B, CABLE(9MM BLACK)	-	1	-----	KRAA,KRDP,KRDY,KRGA,KRGB,KRGF,KRWB,KRWE,KRWF,KRWN
10	90683-SA0-003	CLIP, WIRE HARNESS, 25MM	-	1	-----	KRAA,KRDP,KRDY,KRGA,KRGB,KRGF,KRWB,KRWE,KRWF,KRWN
11	91302-ZL8-003	O-RING, 11.8X2.4	-	1	-----	KRAA,KRDP,KRDY,KRGA,KRGB,KRGF,KRWB,KRWE,KRWF,KRWN
12	91540-S30-003	CLIP, HARNESS BAND(NATURAL) (151.5MM)	-	1	-----	KRAA,KRDP,KRDY,KRGA,KRGB,KRGF,KRWB,KRWE,KRWF,KRWN



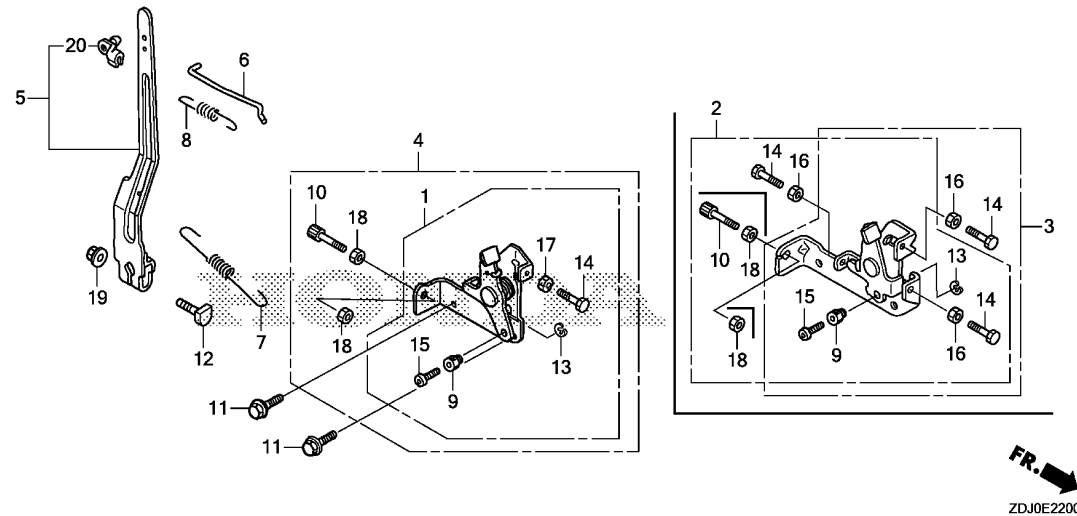
Ref. No.	L.O.N.	(Relative ref. Number) Description	F.R.T.
4		(1,2,3)	
4	1161A5	CONTROL, THROTTLE/GOVERNOR ...	0.2
5	1161A0	ARM, GOVERNOR	0.2
6	1161B1	ROD, GOVERNOR	0.2
7	1161C5	SPRING, GOVERNOR	0.1
8	1161C2	SPRING, THROTTLE RETURN	0.2

FR. →
ZDJ0E2200

Ref. No.	Part No.	Description	Reqd. QTY		Serial No.	Parts catalogue code
			GXR 120 T	GXR 120 RT		
1	16500-Z0D-V50	CONTROL ASSY.	-	1	-----	KRB4,KRB6
2	16500-Z4E-S10	CONTROL ASSY.	-	1	-----	KRAA,KRDF,KRDP,KRDY,KRGA,KRGB,KRGF,KRWB
	16500-Z4E-V10	-	1	-----	KRE4,KREE,KREU,KRWE,KRWF
3	16500-Z4E-S30	CONTROL ASSY.	1	1	-----	KRB3,KRB5,KRBF,KRF1,KRWN
4	16500-ZG0-V90	CONTROL ASSY.	1	1	-----	KRA2,KRF2,KRH2,KRS2
5	16550-Z0D-V21	ARM COMP., GOVERNOR	1	1	-----	KRA2,KRB3,KRB4,KRB5,KRB6,KRDY,KRH2,KRS2
	16550-Z0D-V01	1	1	-----	KRAA,KRBF,KRDF,KRDP,KRE4,KREE,KREU,KRF1,KRF2,KRGA,KRGB,KRGF,KRWB,KRWE,KRWF,KRWN
6	16555-Z0D-V20	ROD, GOVERNOR	1	1	-----	KRA2,KRB3,KRB4,KRB5,KRB6,KRDY,KRH2,KRS2
	16555-Z0D-V00	1	1	-----	KRAA,KRBF,KRDF,KRDP,KRE4,KREE,KREU,KRF1,KRF2,KRGA,KRGB,KRGF,KRWB,KRWE,KRWF,KRWN
7	16561-ZDJ-800	SPRING, GOVERNOR	1	1	-----	KRA2,KRB3,KRB4,KRB5,KRB6,KRDY,KRH2,KRS2
	16561-ZDJ-000	1	1	-----	KRAA,KRBF,KRDF,KRDP,KRE4,KREE,KREU,KRF1,KRF2,KRGA,KRGB,KRGF,KRWB,KRWE,KRWF,KRWN
8	16562-Z0D-V20	SPRING, THROTTLE RETURN	1	1	-----	KRA2,KRB3,KRB4,KRB5,KRB6,KRDY,KRH2,KRS2
	16562-ZDJ-000	1	1	-----	KRAA,KRBF,KRDF,KRDP,KRE4,KREE,KREU,KRF1,KRF2,KRGA,KRGB,KRGF,KRWB,KRWE,KRWF,KRWN
9	16594-883-010	HOLDER, WIRE	1	1	-----	KRA2,KRAA,KRB3,KRB4,KRB5,KRB6,KRBF,KRDF,KRDP,KRDY,KRE4,KREE,KREU,KRF1,KRF2,KRGA,KRGB,KRGF,KRH2,KRS2,KRWB,KRWE,KRWF,KRWN
10	54717-ZG0-S00	BOLT, CABLE ADJUSTING(6X34) .	1	1	-----	KRA2,KRE4,KREE,KREU,KRF2,KRH2,KRS2,KRWE,KRWF
11	90014-952-000	BOLT, FLANGE, 6X14(CT200) ...	2	2	-----	KRA2,KRAA,KRB3,KRB4,KRB5,KRB6,KRBF,KRDF,KRDP,KRDY,KRE4,KREE,KREU,KRF1,KRF2,KRGA,KRGB,KRGF,KRH2,KRS2,KRWB,KRWE,KRWF,KRWN
12	90015-Z5T-000	BOLT, GOVERNOR ARM	1	1	-----	KRA2,KRAA,KRB3,KRB4,KRB5,KRB6,KRBF,KRDF,KRDP,KRDY,KRE4,KREE,KREU,KRF1,KRF2,KRGA,KRGB,KRGF,KRH2,KRS2,KRWB,KRWE,KRWF,KRWN
13	90605-230-000	CIRCLIP, 5MM	1	1	-----	KRA2,KRAA,KRB3,KRB4,KRB5,KRB6,KRBF,KRDF,KRDP,KRDY,KRE4,KREE,KREU,KRF1,KRF2,KRGA,KRGB,KRGF,KRH2,KRS2,KRWB,KRWE,KRWF,KRWN

E-22

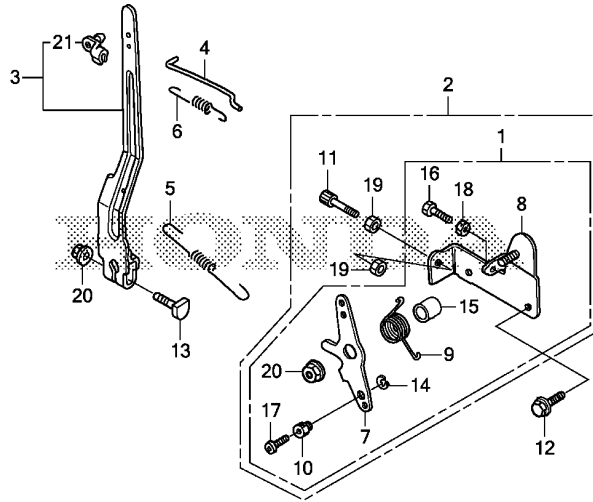
CONTROL(1)



Ref. No.	Part No.	Description	Reqd. QTY		Serial No.	Parts catalogue code
			GXR 120 T	GXR 120 RT		
14	92301-05020-0A	BOLT, RECESSED, 5X20	2	-	-----	KRB3, KRF1
			1	-	-----	KRH2
			-	1	-----	KRA2, KRB4, KRB6, KRF2, KRS2
			-	2	-----	KRAA, KRB5, KRBF, KRDF, KRDP, KRDY, KRE4, KREE, KREU, KRGA, KRGB, KRGF, KRWB, KRWE, KRWF, KRWN
15	93500-04006-0H	SCREW, PAN, 4X6	1	1	-----	KRA2, KRAA, KRB3, KRB4, KRB5, KRB6, KRBF, KRDF, KRDP, KRDY, KRE4, KREE, KREU, KRF1, KRF2, KRGA, KRGB, KRGF, KRH2, KRS2, KRWB, KRWE, KRWF, KRWN
16	94001-05000	NUT, HEX., 5MM	2	2	-----	KRAA, KRB3, KRB5, KRBF, KRDF, KRDP, KRDY, KRE4, KREE, KREU, KRF1, KRGA, KRGB, KRGF, KRWB, KRWE, KRWF, KRWN
17	94001-05000-0S	NUT, HEX., 5MM	1	1	-----	KRA2, KRB4, KRB6, KRF2, KRH2, KRS2
18	94002-06000-0S	NUT, HEX., 6MM	2	2	-----	KRA2, KRE4, KREE, KREU, KRF2, KRH2, KRS2, KRWE, KRWF
19	94050-06000	NUT, FLANGE, 6MM	1	1	-----	KRA2, KRAA, KRB3, KRB4, KRB5, KRB6, KRBF, KRDF, KRDP, KRDY, KRE4, KREE, KREU, KRF1, KRF2, KRGA, KRGB, KRGF, KRH2, KRS2, KRWB, KRWE, KRWF, KRWN
20	16263-883-W10	JOINT, ROD	1	1	-----	KRA2, KRAA, KRB3, KRB4, KRB5, KRB6, KRBF, KRDF, KRDP, KRDY, KRE4, KREE, KREU, KRF1, KRF2, KRGA, KRGB, KRGF, KRH2, KRS2, KRWB, KRWE, KRWF, KRWN

E-22-1

CONTROL(2)



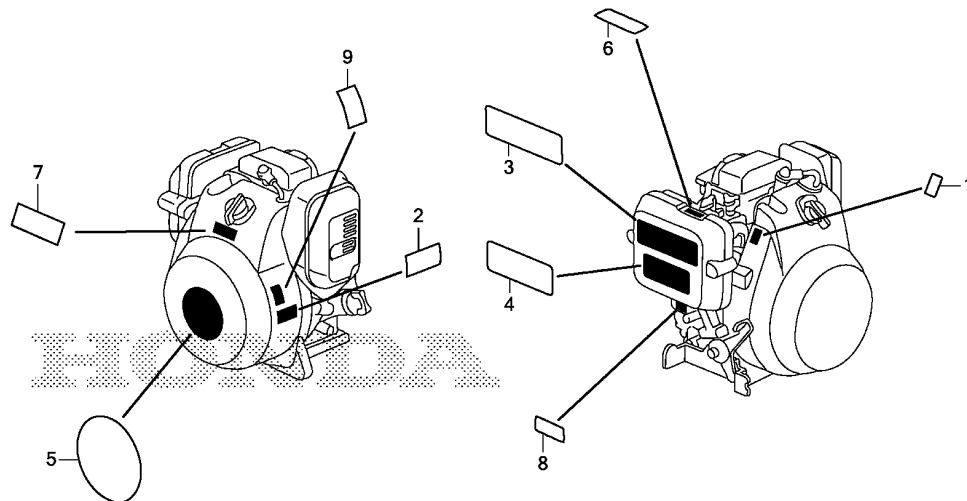
FR. →
ZDJ0E2201

Ref. No.	L.O.N.	(Relative ref. Number) Description	F.R.T.
2		(1)	
2	1161A5	CONTROL, THROTTLE/GOVERNOR ...	0.2
3	1161A0	ARM, GOVERNOR	0.2
4	1161B1	ROD, GOVERNOR	0.2
5	1161C5	SPRING, GOVERNOR	0.1
6	1161C2	SPRING, THROTTLE RETURN	0.2
7		(9)	
	1161A8	LEVER, CONTROL	0.3
8	1161A2	BASE, CONTROL	0.3

Ref. No.	Part No.	Description	Reqd. QTY		Serial No.	Parts catalogue code
			GXR 120 T	GXR 120 RT		
1	16500-Z0D-V70	CONTROL ASSY. (BOMAG)	-	1	-----	KRG
	16500-Z0D-V80	CONTROL ASSY.	-	1	-----	KRM
2	16500-ZG0-U01	CONTROL ASSY. (REMOTE)	1	1	-----	KRH, KRMB, KRSB
3	16550-Z0D-V01	ARM COMP., GOVERNOR	1	1	-----	KRG, KRH, KRM, KRMB, KRSB
4	16555-Z0D-V00	ROD, GOVERNOR	1	1	-----	KRG, KRH, KRM, KRMB, KRSB
5	16561-ZDJ-000	SPRING, GOVERNOR	1	1	-----	KRG, KRH, KRM, KRMB, KRSB
6	16562-ZDJ-000	SPRING, THROTTLE RETURN	1	1	-----	KRG, KRH, KRM, KRMB, KRSB
7	16571-ZG0-810	LEVER, CONTROL (REMOTE)	1	1	-----	KRG, KRH, KRM, KRMB, KRSB
8	16572-ZG0-810	BASE COMP., CONTROL (REMOTE) ..	1	1	-----	KRG, KRH, KRMB, KRSB
	16581-Z0D-V80	BASE, CONTROL	-	1	-----	KRM
9	16592-896-610	SPRING, RETURN	1	1	-----	KRH, KRM, KRMB, KRSB
	16575-Z0D-V70	SPRING, CONTROL LEVER RETURN ..	-	1	-----	KRG
10	16594-883-010	HOLDER, WIRE	1	1	-----	KRG, KRH, KRM, KRMB, KRSB
11	54717-ZG0-S00	BOLT, CABLE ADJUSTING(6X34) ..	1	1	-----	KRH, KRMB, KRSB
12	90014-952-000	BOLT, FLANGE, 6X14(CT200) ..	2	2	-----	KRG, KRH, KRM, KRMB, KRSB
13	90015-Z5T-000	BOLT, GOVERNOR ARM	1	1	-----	KRG, KRH, KRM, KRMB, KRSB
14	90605-230-000	CIRCLIP, 5MM	1	1	-----	KRG, KRH, KRM, KRMB, KRSB
15	91552-ZG0-810	COLLAR, CONTROL LEVER	1	1	-----	KRG, KRH, KRM, KRMB, KRSB
16	92301-05020-0A	BOLT, RECESSED, 5X20	1	1	-----	KRG, KRH, KRM, KRMB, KRSB
17	93500-04006-0H	SCREW, PAN, 4X6	1	1	-----	KRG, KRH, KRM, KRMB, KRSB
18	94001-05000-0S	NUT, HEX., 5MM	1	1	-----	KRG, KRH, KRMB, KRSB
	94001-05000	-	1	-----	KRM
19	94002-06000-0S	NUT, HEX., 6MM	2	2	-----	KRH, KRMB, KRSB
20	94050-06000	NUT, FLANGE, 6MM	2	2	-----	KRG, KRH, KRM, KRMB, KRSB
21	16263-883-W10	JOINT, ROD	1	1	-----	KRG, KRH, KRM, KRMB, KRSB

E-28

LABEL



ZDJ0E2800A

Ref. L.O.N. (Relative ref. Number) F.R.T.
No. Description

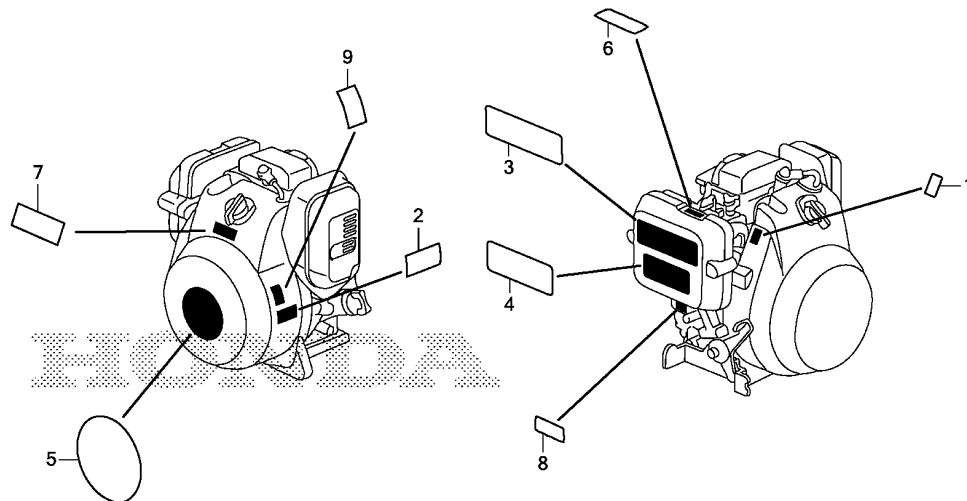
NO INFORMATION

Ref. No.	Part No.	Description	Reqd. QTY		Serial No.	Parts catalogue code
			GXR 120 T	GXR 120 RT		
1	87114-ZH7-000	LABEL, WARNING (NOT CERTIFIED FOR SALE)	1	-		
2	87150-ZH8-000	MARK, CAUTION(JAPANESE)	1	-	-----	KRB3,KRF1
3	87516-ZDD-000	MARK, OPERATOR CAUTION (ENGLISH)	-	1	-----	KRA2,KRB4,KRB6,KRF2,KRGF,KRM,KRMB,KRS2,KRSB
	87519-ZDD-000	MARK, OPERATOR CAUTION (PICTOGRAPH)	-	1	-----	KRE4,KREE,KREU,KRGA,KRGB,KRWB,KRWE,KRWF
4	87516-ZK6-800	MARK, OPERATOR CAUTION (CHINESE)	1	-	-----	KRH,KRH2
5	87521-ZDJ-000	EMBLEM	1	1		
6	87528-ZOD-000	MARK, CHOKE INDICATION	1	1	-----	KRB4,KRB6,KRE4,KREU,KRF2,KRGA,KRGB,KRGF,KRH,KRM,KRMB,KRSB,KRWB,KRWE,KRWF
7	87539-ZOJ-000	MARK, EX. CAUTION(ENGLISH)	-	1	-----	KRA2,KRB4,KRB5,KRB6,KRBF,KRDF,KRF2,KRGF,KRM,KRMB,KRS2,KRSB
8	87601-ZOD-S00	MARK, TYPE(KRB3)	1	-	-----	KRB3
	87601-ZOD-R90	MARK, TYPE(KRF1)	1	-	-----	KRF1
	87601-ZOD-890	MARK, TYPE(KRH)	1	-	-----	KRH
	87601-ZOD-V90	MARK, TYPE(KRH2)	1	-	-----	KRH2
	87601-ZOD-V40	MARK, TYPE(KRA2)	-	1	-----	KRA2
	87601-Z4E-S90	MARK, TYPE(KRAA)	-	1	-----	KRAA
	87601-ZOD-U10	MARK, TYPE(KRB4)	-	1	-----	KRB4
	87601-Z4E-W50	MARK, TYPE(KRB5)	-	1	-----	KRB5
	87601-ZDJ-V20	MARK, TYPE(KRB6)	-	1	-----	KRB6
	87601-Z4E-S30	MARK, TYPE(KRBF)	-	1	-----	KRBF
	87601-Z4E-S20	MARK, TYPE(KRDF)	-	1	-----	KRDF
	87601-ZDJ-V80	MARK, TYPE(KRDP)	-	1	-----	KRDP
	87601-ZDJ-V90	MARK, TYPE(KRDY)	-	1	-----	KRDY
	87601-ZOD-V10	MARK, TYPE(KRE4)	-	1	-----	KRE4
	87601-Z4E-V90	MARK, TYPE(KREE)	-	1	-----	KREE



E-28

LABEL

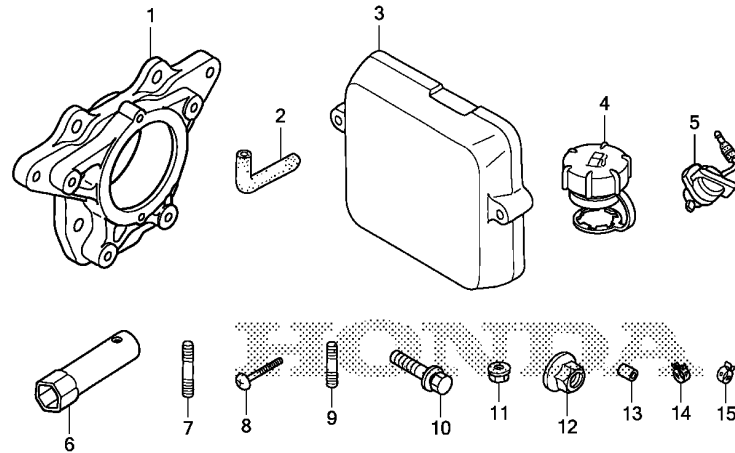


ZDJ0E2800A

Ref. No.	Part No.	Description	Reqd. QTY		Serial No.	Parts catalogue code
			GXR 120 T	GXR 120 RT		
(8)	87601-Z4E-V20	MARK, TYPE(KREU)	-	1	-----	KREU
	87601-Z0D-U90	MARK, TYPE(KRF2)	-	1	-----	KRF2
	87601-Z0D-V70	MARK, TYPE(KRG)	-	1	-----	KRG
	87601-Z4E-S80	MARK, TYPE(KRGA)	-	1	-----	KRGA
	87601-ZDJ-V00	MARK, TYPE(KRGB)	-	1	-----	KRGB
	87601-Z4E-S10	MARK, TYPE(KRGF)	-	1	-----	KRGF
	87601-Z0D-T70	MARK, TYPE(KRM)	-	1	-----	KRM
	87601-Z0D-R80	MARK, TYPE(KRMB)	-	1	-----	KRMB
	87601-Z0D-R10	MARK, TYPE(KRS2)	-	1	-----	KRS2
	87601-Z4E-S50	MARK, TYPE(KRSB)	-	1	-----	KRSB
	87601-Z4E-W60	MARK, TYPE(KRWB)	-	1	-----	KRWB
	87601-ZDJ-V10	MARK, TYPE(KRWE)	-	1	-----	KRWE
	87601-Z4E-S70	MARK, TYPE(KRWF)	-	1	-----	KRWF
	87601-ZDD-R00	MARK, TYPE(KRWN)	-	1	-----	KRWN
9	87539-Z4M-000	MARK, EX. CAUTION(ENGLISH)	-	1	-----	KRWN

E-40

OTHER PARTS(1)



ZDJ0E4000

Ref. L.O.N. (Relative ref. Number) F.R.T.
No. Description

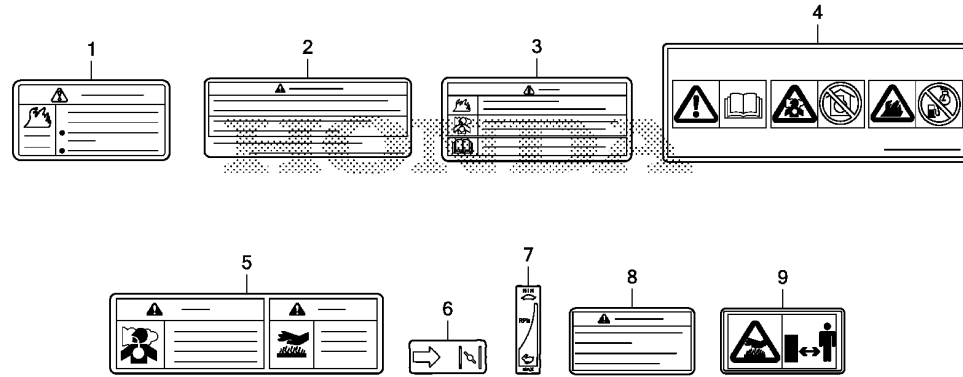
NO INFORMATION

Ref. No.	Part No.	Description	Reqd. QTY		Serial No.	Parts catalogue code
			GXR 120 T	GXR 120 RT		
1	11511-Z0D-V10	FLANGE, P.T.O.	-	1	-----	KRWB
2	15721-Z0D-V70	TUBE, BREATHER(BOMAG)	-	1	-----	KRAA,KRG
3	17231-Z0D-V62	COVER, AIR CLEANER	-	1	-----	KRS2,KRSB
4	17620-Z0J-800	CAP ASSY., FUEL TANK	-	1	-----	KRWB
5	35120-Z0D-V81	SWITCH ASSY., ENGINE STOP ...	-	1	-----	KRWB
6	89216-045-670	WRENCH, PLUG	1	1	-----	KRA2,KRAA,KRB3,KRB4,KRB5,KRB6,KRBF,KRDF,KRDP,KRDY,KREE,KRF1,KRF2,KRG KRGa,KRGB,KRGF,KRH,KRH2,KRM,KRMB,KRS2,KRSB,KRWB,KRWE,KRWF,KRWN
7	90001-ZK7-V00	BOLT, STUD, 10X32	-	5	-----	KRWB
8	90011-Z0D-000	BOLT, AIR CLEANER COVER	-	2	-----	KRS2,KRSB
9	92900-08025-0E	BOLT, STUD, 8X25	4	4	-----	KRA2,KRF2,KRH2,KRS2
10	93402-10040-00	BOLT-WASHER, 10X40	-	2	-----	KRB4,KRB6
11	94050-10000	NUT, FLANGE, 10MM	-	5	-----	KRWB
12	94050-12000	NUT, FLANGE, 12MM	-	1	-----	KRS2,KRSB
13	94303-06100	DOWEL PIN, 6X10	2	2	-----	KRB3,KRB5,KRBF,KRF1,KRWB,KRWE,KRWF
14	95002-40800-08	CLAMP, TUBE(D8)	-	1	-----	KRWB
15	95002-40850-08	CLAMP, TUBE(D8.5)	-	2	-----	KRF2
			-	1	-----	KRWB



E-40-1

OTHER PARTS(2)



ZDJ0E4001

Ref. L.O.N. (Relative ref. Number) F.R.T.
No. Description

NO INFORMATION

Ref. No.	Part No.	Description	Reqd. QTY		Serial No.	Parts catalogue code
			GXR 120 T	GXR 120 RT		
1	87106-737-J00	MARK, FUEL WARNING	1	-	-----	KRB3,KRF1
2	87516-ZDD-800	MARK, OPERATOR CAUTION(FRENCH)	-	1	-----	KRAA,KRB5,KRBF,KRDF,KRDP,KRDY,KRE4,KREE,KREU,KRG,KRGA,KRGB,KRWB,KRWE KRWF,KRWN
	87516-ZDD-000	MARK, OPERATOR CAUTION (ENGLISH)	-	1	-----	
3	87516-ZK6-800	MARK, OPERATOR CAUTION (CHINESE)	-	1	-----	KRB4,KRB6,KRDP,KRDY
4	87519-ZDD-000	MARK, OPERATOR CAUTION (PICTOGRAPH)	-	1	-----	KRA2,KRAA,KRB4,KRB5,KRB6,KRBF,KRDF,KRDP,KRDY,KRF2,KRG,KRGF,KRM,KRMB KRS2,KRSB,KRWN
5	87526-ZH8-000	MARK B, COMBINATION(JAPANESE)	1	-	-----	KRB3,KRF1
6	87528-Z0D-000	MARK, CHOKE INDICATION	1	1	-----	KRA2,KRAA,KRB3,KRB5,KRBF,KRDF,KRDP,KRDY,KREE,KRF1,KRG,KRH2,KRS2,KRWN
7	87532-Z4E-000	MARK, THROTTLE INDICATION ...	1	1	-----	KRA2,KRH2,KRS2
8	87539-Z0J-810	MARK, EX. CAUTION(FRENCH) ...	-	1	-----	KRA2,KRAA,KRB4,KRB5,KRB6,KRBF,KRDF,KRDP,KRDY,KRE4,KREE,KREU,KRF2,KRG KRGA,KRGB,KRGF,KRM,KRMB,KRS2,KRSB,KRWB,KRWE,KRWF
	87539-Z0J-000	MARK, EX. CAUTION(ENGLISH) ..	-	1	-----	
	87539-Z4M-810	MARK, EX. CAUTION(FRENCH) ...	-	1	-----	KRWN
9	87539-Z0J-800	MARK, EX. CAUTION(PICTOGRAPH)	-	1	-----	KRA2,KRB4,KRB5,KRB6,KRBF,KRDF,KRF2,KRGF,KRM,KRMB,KRS2,KRSB KRWN
	87539-Z4M-800	-	1	-----	

PART NO. INDEX

Part Number	Page	Ref.	Part Number	Page	Ref.	Part Number	Page	Ref.	Part Number	Page	Ref.	Part Number	Page	Ref.	
11000			16000			16166-ZDJ-821	27	11	17231-Z4E-S11	33	7	34000			
11300-ZDJ-305	19	1	16010-ZDD-V02	29	1	16199-ZDD-V21	27	12	17410-ZDD-S00	33	8	87601-Z4E-S10	42	8	
11300-ZDJ-306	19	1	16010-Z4E-W51	27	1	16211-ZDD-010	27	13	17410-Z4E-S31	33	9	87601-Z4E-S20	41	8	
11511-ZDD-V00	19	2	16010-ZDD-R02	29	1	16211-ZDJ-000	31	37	17620-ZDJ-800	43	4	87601-Z4E-S30	41	8	
11511-ZDD-V10	19	3	16011-ZDD-V02	29	2	16212-ZDD-V00	31	38	17702-Z4E-S21	31	42	87601-Z4E-S50	42	8	
			16011-ZE0-005	27	2	16212-ZDD-V20	27	14				87601-Z4E-S70	42	8	
			16013-Z4E-S44	29	3	16221-ZDD-V00	31	39	18000	35120-ZDD-V81	26	2	87601-Z4E-S80	42	8
			16013-ZDD-R02	29	3	16221-ZGO-801	27	15				87601-Z4E-S90	41	8	
12000			16013-ZGO-811	27	3	16263-883-W10	39	20	18310-ZDJ-000	35	1	87601-Z4E-V20	42	8	
12000-ZDJ-305	17	1	16014-ZDD-V02	29	4	16500-ZDD-V50	38	1	18320-ZDJ-000	35	2	87601-Z4E-V90	41	8	
12201-ZDD-305	17	2	16015-Z4E-W51	27	4	16500-ZDD-V70	40	1	18381-ZDD-000	35	3	87601-Z4E-W50	41	8	
12204-ZDD-305	17	3	16016-ZDD-V21	27	5	16500-ZDD-V80	40	1				87601-Z4E-W60	42	8	
12209-KT7-013	23	1	16017-Z4E-S32	29	5	16500-Z4E-S10	38	2	36000	36103-ZE1-000	37	5	87601-ZDD-R00	42	8
12311-ZDD-000	17	4	16017-ZDD-R02	32	49	16500-Z4E-S30	38	3				87601-ZDJ-V00	42	8	
12355-ZDD-000	17	5	16018-ZM3-004	29	6	16500-Z4E-V10	38	2	19000			87601-ZDJ-V10	42	8	
12365-ZDD-000	17	6	16019-ZM3-004	29	7	16500-ZGO-U01	40	2	19610-ZDD-V00ZB	26	1	87601-ZDJ-V20	41	8	
12365-ZDD-R00	17	17	16022-ZM3-014	29	8	16500-ZGO-V90	38	4	19610-ZDD-V00ZC	26	1	87601-ZDJ-V80	41	8	
			16023-ZDD-V02	29	9	16510-ZL8-000	19	6	19610-Z4E-S11ZA	26	1	87601-ZDJ-V90	41	8	
			16024-124-760	27	6	16531-ZE1-000	19	7	19610-Z4E-S11ZB	26	1				
13000			16026-Z4E-S32	29	10	16541-ZDD-000	19	8	19610-Z4E-S30ZA	26	1	89000			
13010-ZDJ-003	22	1	16028-ZCO-005	27	7	16550-ZDD-V01	38	5	19610-Z4E-V60ZA	26	1	81000			
13101-ZDJ-000	22	2	16030-ZM3-004	29	11		38	8	19619-ZM7-300	33	10	89216-045-670	43	6	
13101-ZDJ-800	22	2	16032-Z4E-S32	29	12		40	3				90000			
13111-ZE0-000	22	3	16040-Z4E-802	29	13	16550-ZDD-V21	38	5	28000			87000			
13200-ZDJ-000	22	4	16041-ZDD-V02	29	14	16552-896-650	31	40	28400-ZDJ-003ZA	25	1	90001-ZDJ-000	22	5	
13200-ZDJ-305	22	4	16042-ZDD-V02	30	15	16555-ZDD-V00	38	6	28400-ZDJ-003ZB	25	1	90001-ZK7-V00	43	7	
13310-ZDJ-000	21	1	16043-ZDD-V02	30	16		40	4	28400-ZDJ-305ZA	25	1	90002-MC7-000	37	6	
13310-ZDJ-800	21	2	16044-ZDD-S01	27	8	16555-ZDD-V20	38	6	28405-ZDJ-000	25	2	90003-ZH8-003	25	13	
13310-ZDJ-V70	21	4	16044-ZDD-V21	27	8	16561-ZDJ-000	38	7	28410-ZDJ-003ZA	25	3	90008-ZM7-000	17	12	
13331-357-000	36	1	16044-Z4E-802	30	17		40	5	28410-ZDJ-003ZB	25	3	90011-ZDD-000	33	11	
			16045-ZDD-V02	30	18	16561-ZDJ-800	38	7	28421-ZDD-V02	25	4	87516-ZDD-800	44	2	
			16046-ZDD-V73	30	19	16562-ZDD-V20	38	8	28421-ZDD-003	25	4	87516-ZK6-800	41	4	
			16048-ZDD-V02	30	20	16562-ZDJ-000	38	8	28422-ZGO-W02	25	5	87519-ZDD-000	44	3	
14000			16049-Z4E-S12	30	21		40	6	28433-ZGO-W02	25	6		41	3	
14320-ZDD-000	23	2	16050-ZDD-V02	30	22	16571-ZGO-810	40	7	28441-ZW6-003	25	7	87521-ZDJ-000	44	4	
14324-ZDD-000	23	3	16051-Z4E-S44	30	23	16572-ZGO-810	40	8	28442-ZH8-003	25	8	87526-ZH8-000	44	5	
14400-ZDD-003	23	4	16052-ZDD-V02	30	24	16575-ZDD-V70	40	9	28451-ZDJ-003	36	2	87528-ZDD-000	44	5	
14431-ZDD-000	23	5	16053-ZDD-V02	30	25	16581-ZDD-V80	40	8	28461-ZDD-003	25	9		41	6	
14441-ZL8-000	23	6	16054-ZDD-V02	30	26	16592-896-610	40	9	28461-ZH8-013	25	9	90015-Z5T-000	38	12	
14461-ZL8-000	23	7	16055-ZDD-V02	30	27	16594-883-010	38	9	28462-ZDD-V03	25	10	87532-Z4E-000	44	7	
14711-ZDD-000	23	8					40	10	28467-ZDD-V02	25	11	87539-ZDJ-000	44	7	
14721-ZDD-000	23	9					31	28	28468-ZDD-V02	25	12	87539-ZDJ-800	44	8	
14751-ZDD-000	23	10	16055-Z4E-S32	31	29	16910-GB2-005	27	16				87539-ZDJ-810	44	8	
14771-ZM3-010	23	11	16056-ZDD-V02	31	30	16910-Z4E-S21	27	16	30000			87539-Z4M-000	42	9	
			16057-ZDD-V02	31	31		31	41	30500-ZDD-V02	36	3	90042-ZDD-V20	33	13	
			16058-ZDD-V02	31	32	16910-ZBH-821	27	16	30564-ZA5-000	36	4	90042-Z4E-S30	33	14	
			16059-ZDD-V03	31	33	16910-ZE8-015	27	16	30700-ZDD-V01	36	5	90042-ZDJ-800	34	14	
			16060-ZDD-V02	31	34				30701-883-000	36	6	90042-ZDJ-810	33	14	
			16061-ZDD-V02	31	35	17000						90042-ZDJ-820	33	14	
			16100-ZDJ-014	31	36	17211-ZL8-023	33	2	31000			90048-ZDJ-000	35	5	
			16100-ZDJ-803	31	36	17218-ZDD-000	33	3				87601-ZDD-R90	41	8	
			16100-ZDJ-813	31	36	17220-ZDD-V01	33	4	31110-ZDJ-003	36	7	87601-ZDD-S00	41	8	
			16100-ZDJ-821	27	9	17220-ZDD-V21	33	4				87601-ZDD-T70	42	8	
			16100-ZDJ-831	27	9	17228-ZDD-V01	33	5	32000			87601-ZDD-U10	41	8	
			16100-ZDJ-841	27	9	17228-ZDD-V21	33	6				87601-ZDD-U90	42	8	
			16100-ZDJ-842	31	36	17231-ZDD-010	33	7	32112-Z4E-S11	37	1	87601-ZDD-V10	41	8	
			16100-ZDJ-V72	31	36	17231-ZDD-V62	33	7	32195-ZDD-000	36	8	87601-ZDD-V40	41	8	
			16124-ZE0-005	27	10		43	3	32195-Z4E-S10	37	2	87601-ZDD-V70	42	8	
												87601-ZDD-V90	41	8	



PART NO. INDEX

Part Number	Page	Ref.	Part Number	Page	Ref.	Part Number	Page	Ref.	Part Number	Page	Ref.	Part Number	Page	Ref.
90602-Z4E-003	27	17	94050-05000	34	15									
	28	26	94050-06000	34	16									
	31	43		39	19									
90602-ZE1-000	19	13		40	20									
90605-230-000	38	13	94050-10000	43	11									
	40	14	94050-12000	43	12									
90681-959-003	37	8	94101-05000	34	17									
90682-959-661	37	9	94101-06800	19	17									
90683-SA0-003	37	10	94251-08000	19	18									
			94301-08200	19	19									
91000			94303-06100	19	20									
				43	13									
91001-878-003	19	14												
91005-KS4-003	21	3	95000											
91202-ZE6-013	17	14												
91203-ZE0-013	19	15	95002-40800-08	43	14									
91231-891-003	19	16	95002-40850-08	27	17									
91301-ZM0-V31	23	14		28	17									
91302-ZL8-003	37	11			21									
91434-Z4E-812	28	18			26									
	31	44			27									
91434-Z4E-832	28	19		31	43									
	31	45			46									
91434-Z4E-842	31	45		43	15									
91434-Z4E-862	28	19	95003-05019-31	28	22									
91434-Z4E-872	31	44	95003-36026-20	31	47									
91434-Z4E-882	31	44	95701-06014-00	25	14									
			95701-08040-00	20	21									
91434-Z4E-892	31	44	95701-08045-00	20	22									
91434-Z4E-902	31	45												
91434-Z4E-912	28	19	98000											
	31	45												
91434-Z4E-922	31	45	98056-55757	17	16									
91434-Z4E-W52	28	19	98056-55777	17	16									
91540-S30-003	37	12												
91552-ZG0-810	40	15	99000											
92000			99101-Z00-0420	32	48									
			99101-Z00-0440	32	48									
92301-05020-0A	39	14	99101-Z00-0460	32	48									
	40	16	99101-Z00-0480	32	48									
92900-08025-0E	43	9	99101-Z00-0500	32	48									
			99101-ZG0-0550	28	23									
93000			99101-ZG0-0580	28	23									
			99101-ZG0-0600	28	23									
93402-10040-00	43	10	99204-ZE0-0350	28	24									
93500-03005-0A	17	15												
93500-04006-0H	39	15												
	40	17												
93892-04012-18	28	20												
94000														
94001-05000	39	16												
	40	18												
94001-05000-0S	39	17												
	40	18												
94002-06000-0S	39	18												
	40	19												

PART NAME INDEX

Part name	Page	Ref.	Part name	Page	Ref.	Part name	Page	Ref.
[A]			CARBURETOR ASSY.	27	9	DOWEL PIN, 8X20.....	19	19
ALERT UNIT, OIL	37	3		31	36	[E]		
ARM COMP., GOVERNOR	38	5	CASE COMP., AIR CLEANER	33	4	ELBOW COMP., AIR CLEANER.....	33	8
	40	3	CASE COMP., RECOIL STARTER	25	3	ELBOW, AIR CLEANER.....	33	9
ARM, EX. VALVE ROCKER	23	6	CHAMBER SET, FLOAT	27	4	ELEMENT, AIR CLEANER.....	33	2
ARM, IN. VALVE ROCKER	23	5	CIRCLIP, 5MM	38	13	EMBLEM.....	41	5
[B]				40	14	[F]		
BALL	31	31	CLAMP, TUBE	27	17	FILTER, OUTER.....	33	3
BARREL ASSY., CYLINDER	17	1		28	17	FLANGE, P.T.O.	19	2
BASE COMP., CONTROL	40	8			21			
BASE, CONTROL	40	8			26			
BEARING, RADIAL BALL, 62/22 ..	19	14			27			
	21	3			31			
BELT, TIMING	23	4	CLIP A, CABLE	37	8	FLOAT SET.....	27	3
BODY ASSY., AIR PURGE	29	5	CLIP B, CABLE	37	9	FLYWHEEL COMP.	36	7
	32	49	CLIP, GOVERNOR HOLDER	19	13	[G]		
BOLT-WASHER, 10X40	43	10	CLIP, HARNESS BAND	37	12	GASKET SET.....	27	1
BOLT, 4X10	17	12	CLIP, HIGH TENSION CORD	36	6	GASKET, METERING DIAPHRAGM	29	1
BOLT, AIR CLEANER COVER	33	11	CLIP, PISTON PIN, 13MM	22	6	GASKET, MUFFLER.....	35	3
	43	8	CLIP, THROTTLE SHAFT	30	25	GASKET, PUMP.....	29	2
BOLT, CABLE ADJUSTING	38	10	CLIP, TUBE	28	25	GOVERNOR ASSY.	19	6
	40	11	CLIP, WIRE HARNESS, 25MM	37	10	GROMMET, CORD.....	36	4
BOLT, CONNECTING ROD, 6X32 ...	22	5	COIL ASSY., IGNITION	36	3	GROMMET, DRAIN HOLE	26	3
BOLT, DRAIN PLUG	19	10	COLLAR, CONTROL LEVER	40	15	GUIDE ASSY., EX. VALVE	17	2
BOLT, FLANGE, 5X8	37	6	COLLAR, EXTENSION	33	1	GUIDE, IN. VALVE.....	17	3
BOLT, FLANGE, 6X14	17	13	COLLAR, FAN COVER	33	10	GUIDE, RATCHET.....	25	6
	25	14	COLLAR, LEVER	31	40	[H]		
	26	4	CONTROL ASSY.	38	1	HOLDER, STOP SWITCH CORD.....	37	5
	35	4			2	HOLDER, WIRE.....	38	9
	37	7			3			
	38	11			4	HOSE, FUEL, 4.2X100.....	28	19
	40	12			1			
BOLT, FLANGE, 6X20	36	9	CORD, STOP SWITCH.....	36	8	HOSE, FUEL, 4.2X120.....	31	45
BOLT, FLANGE, 6X25	19	9			2	HOSE, FUEL, 4.2X210.....	28	19
BOLT, FLANGE, 8X40	20	21			8	HOSE, FUEL, 4.2X270.....	31	44
BOLT, FLANGE, 8X45	20	22	COVER ASSY., CRANKCASE	19	1	HOSE, FUEL, 4.2X300.....	31	44
BOLT, GOVERNOR ARM	38	12	COVER COMP. A, BREATHER	17	5			
	40	13	COVER COMP. B, BREATHER	17	6	HOSE, FUEL, 4.2X310.....	31	44
BOLT, RECESSED, 5X20	39	14			17	HOSE, FUEL, 4.2X330.....	31	45
	40	16	COVER COMP., FAN	26	1	HOSE, FUEL, 4.2X350.....	28	19
BOLT, STUD	33	12	COVER, AIR CLEANER	33	7	HOSE, FUEL, 4.2X400.....	28	19
BOLT, STUD, 10X32	43	7			43			
BOLT, STUD, 5X110	33	14	COVER, HEAD	17	4	HOSE, FUEL, 4.2X600.....	31	45
BOLT, STUD, 5X75	33	13	COVER, METERING DIAPHRAGM	30	16	HOSE, FUEL, 4.2X80.....	28	18
BOLT, STUD, 5X85	33	13	COVER, PRIMER PUMP	29	10			
BOLT, STUD, 5X91	34	14	COVER, PUMP	29	13			
BOLT, STUD, 5X95	33	14	CRANKSHAFT COMP.	21	1	[I]		
BOLT, STUD, 6X56.5	35	5			2	INSULATOR, CARBURETOR.....	27	13
BOLT, STUD, 8X25	43	9			4			
BRACKET, OIL ALERT UNIT	37	1	[D]					
[C]			DIAPHRAGM ASSY., METERING	29	3			
CAP ASSY., FUEL TANK	43	4	DIAPHRAGM, PUMP	29	4			
CAP ASSY., OIL FILLER	19	4	DOWEL PIN, 6X10	19	20			
				43	13			

PART NAME INDEX

Part name	Page	Ref.	Part name	Page	Ref.	Part name	Page	Ref.
[J]			NUT, SPECIAL, 14MM	36	10	SCREW, PAN, 3X5	17	15
JET	32	48	NUT, TAPPET ADJUSTING	23	13	SCREW, PAN, 4X6	39	15
JET SET, PILOT, #35	28	24	[O]			SCREW, SETTING	25	13
JET, MAIN, #55	28	23	OIL SEAL, 22X35X6	17	14	SCREW, TAPPET ADJUSTING	23	12
JET, MAIN, #58	28	23	OIL SEAL, 22X41X6	19	15	SCREW, THROTTLE STOP	27	10
JET, MAIN, #60	28	23	OIL SEAL, 6X11X4	19	16	SCREW, VALVE	30	26
JOINT, ROD	39	20	O-RING, 11.8X2.4	37	11	SEAL, DUST	31	35
	40	21	O-RING, 6.8X1.9	23	14	SEAL, VALVE STEM	23	1
[K]			[P]			SHAFT ASSY., CHOKE	31	32
KEY, SPECIAL WOODRUFF, 25X18 ..	36	1	PACKING, AIR CLEANER	33	5	SHAFT, CAM PULLEY	23	3
KNOB, RECOIL STARTER	25	9	PACKING, CARBURETOR	27	15	SHAFT, GOVERNOR ARM	19	8
[L]			PACKING, INSULATOR	31	39	SHAFT, ROCKER ARM	23	7
LABEL, WARNING	41	1	PACKING, OIL FILLER CAP	19	5	SHAFT, THROTTLE	30	24
LEVER SET, CHOKE	27	8	PIN, LOCK, 8MM	19	18	SLIDER, GOVERNOR	19	7
LEVER, CONTROL	40	7	PIN, METERING LEVER	29	8	SPACER, RECOIL STARTER		
LEVER, METERING	29	9	PIN, PISTON	22	3	MOUNTING	25	2
LEVER, THROTTLE	30	19	PIPE, BREATHER	17	7	SPACER, THROTTLE LEVER	30	20
[M]			PISTON	22	2	SPRING	30	15
MARK B, COMBINATION	44	5	PLATE, SIDE	25	11			
MARK, CAUTION	41	2	PLATE, SLIDE	25	12	SPRING, CONTROL LEVER RETURN ..	31	30
MARK, CHOKE INDICATION	41	6	PLATE, STOPPER	17	9	SPRING, FRICTION	40	9
	44	6	PLUG, SPARK	17	16	SPRING, GOVERNOR	25	7
MARK, EX. CAUTION	41	7	PROTECTOR COMP., MUFFLER	35	2	SPRING, GOVERNOR	38	7
	42	9	PULLEY COMP., CAMSHAFT	23	2		40	5
	44	8	PULLEY, STARTER	36	2	SPRING, PUMP	29	11
	9		PUMP, PRIMER	29	12	SPRING, RECOIL STARTER	25	8
MARK, FUEL WARNING	44	1	[R]			SPRING, RETURN	40	9
MARK, OPERATOR CAUTION	41	3	RATCHET, STARTER	25	5	SPRING, THROTTLE RETURN	38	8
	4		REEL, RECOIL STARTER	25	4		40	6
	44	2	RETAINER, VALVE SPRING	23	11	SPRING, VALVE	23	10
	3		RING SET, PISTON	22	1	STARTER ASSY., RECOIL	25	1
MARK, THROTTLE INDICATION	44	7	ROD ASSY., CONNECTING	22	4	STOPPER, THROTTLE LEVER	30	18
MARK, TYPE	41	8	ROD, GOVERNOR	38	6	STRAINER COMP., FUEL	27	16
	42	8	ROPE, RECOIL STARTER	40	4		31	41
MUFFLER COMP.	35	1	[S]			SWITCH ASSY., ENGINE STOP	26	2
[N]			SCREEN, INLET	29	6		43	5
NOZZLE, MAIN	27	11	SCREW	29	14	SWITCH ASSY., OIL LEVEL	37	4
NUT, FLANGE, 10MM	43	11	SCREW-WASHER, 4X12	30	17	[T]		
NUT, FLANGE, 12MM	43	12	SCREW ASSY.	31	34	TERMINAL ASSY., HIGH TENSION ..	36	5
NUT, FLANGE, 5MM	34	15		28	20	TUBE, AIR VENT	27	12
NUT, FLANGE, 6MM	34	16		30	27	TUBE, BREATHER	17	10
	39	19		31	28			11
	40	20		31	28			2
NUT, HEX., 5MM	39	16		31	29	TUBE, FUEL RETURN	43	2
	17			27	27	TUBE, VINYL, 11X13X260	31	42
	40	18		27	7	TUBE, VINYL, 3.5X6.5X190	28	47
NUT, HEX., 6MM	39	18		27	6			22
	40	19		30	21	[V]		
NUT, SELF-LOCK, 6MM	35	6		27	5	VALVE SET, FLOAT	27	2
				27	7	VALVE, CHOKE	31	33
				27	6	VALVE, EX.	23	9
				30	21	VALVE, INLET NEEDLE	29	7
				27	6	VALVE, IN.	23	8
				30	21	VALVE, OIL OUTLET	17	8
				30	21	VALVE, THROTTLE	30	23

PART NAME INDEX

Part name	Page	Ref.	Part name	Page	Ref.	Part name	Page	Ref.
[W]								
WASHER, DRAIN PLUG, 10.2MM ...	19	12						
WASHER, PLAIN, 5MM	34	17						
WASHER, PLAIN, 6MM	19	17						
WASHER, THRUST, 6MM	19	11						
WRENCH, PLUG	43	6						

1

FOREWORD INDEX

2

ENGINE GROUP

3

PART NUMBER INDEX

4

PART NAME INDEX

HONDA
The Power of Dreams